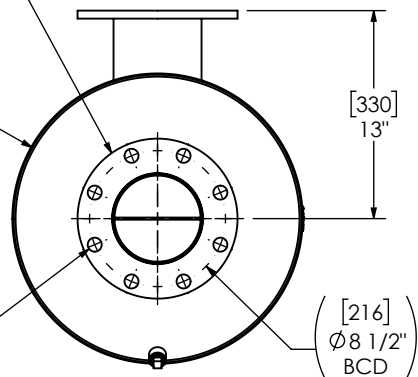


(2) 5" FF FLANGE
150 lb ANSI
STANDARD
BOLT PATTERN

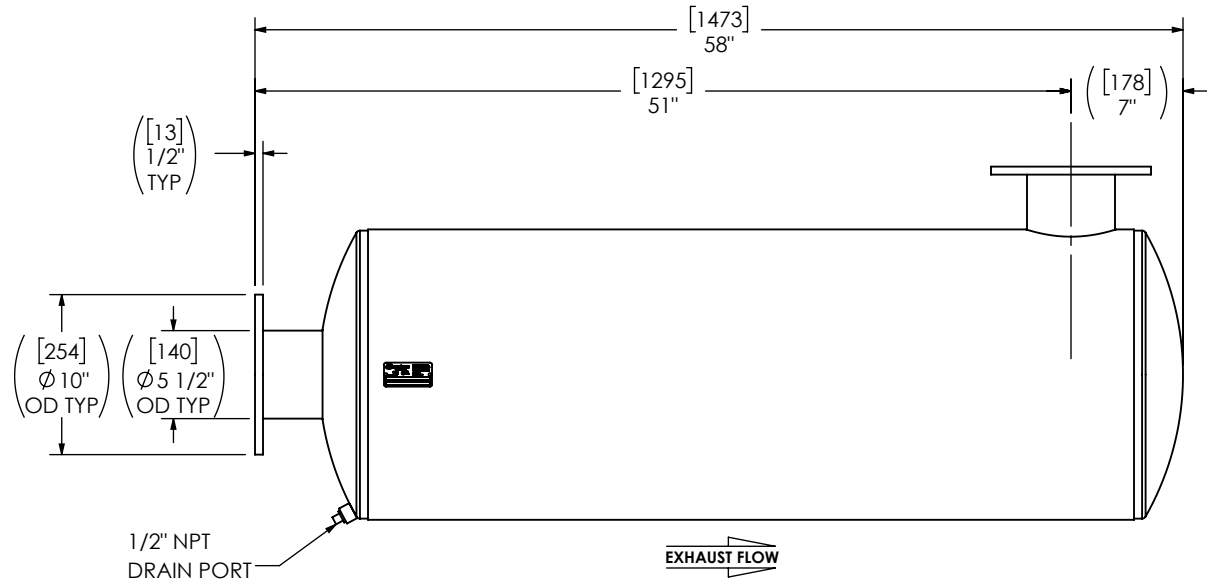
[457]
Ø 18"
NOM DIA

([22])
Ø 7/8"
TYP



[330]
13"

([216])
Ø 8 1/2"
BCD



1/2" NPT
DRAIN PORT

EXHAUST FLOW

NOTES:

- DO NOT USE EQUIPMENT TO SUPPORT OTHER PARTS OF THE EXHAUST SYSTEM WITHOUT PROPER REINFORCEMENT

MATERIAL CONSTRUCTION:

- CARBON STEEL

PAINT:

- HIGH TEMPERATURE BLACK (MIRATECH COATING SYSTEM 5)

PROJECT NAME	PROPRIETARY AND CONFIDENTIAL THE INFORMATION CONTAINED IN THIS DRAWING IS THE SOLE PROPERTY OF MIRATECH. ANY REPRODUCTION IN PART OR AS A WHOLE WITHOUT THE WRITTEN PERMISSION OF MIRATECH IS PROHIBITED.	ALL DIMENSIONS IN INCHES (MILLIMETERS) UNLESS OTHERWISE SPECIFIED.			
PROPOSAL NUMBER		CRITICAL DIMENSIONS ARE CIRCLED			
SALES ORDER NO.		TOLERANCES UNLESS OTHERWISE SPECIFIED < 12 [305] ±1/8 [3] 12 [305] ≥ 36 [915] ±3/16 [5] 36 [915] ≥ 360 [9150] ±5/16 [9] > 360 [9150] ±7/16 [12]			M4EA0-05PF-2-00001NIO SILENCER SUPER CRITICAL GRADE M42
CUSTOMER P.O. [P.N.]		PROJECTION 	DRAWN MA DATE 2024-01-19 REVIEWED CSF DATE 2024-01-19		SALES DRAWING M4EA0-05PF-2-00001NIO SD OEM NO 0 SHEET NO. 1 OF 1
		SIZE A	DO NOT SCALE	SCALE 1:12	WEIGHT 107lb/48kg