

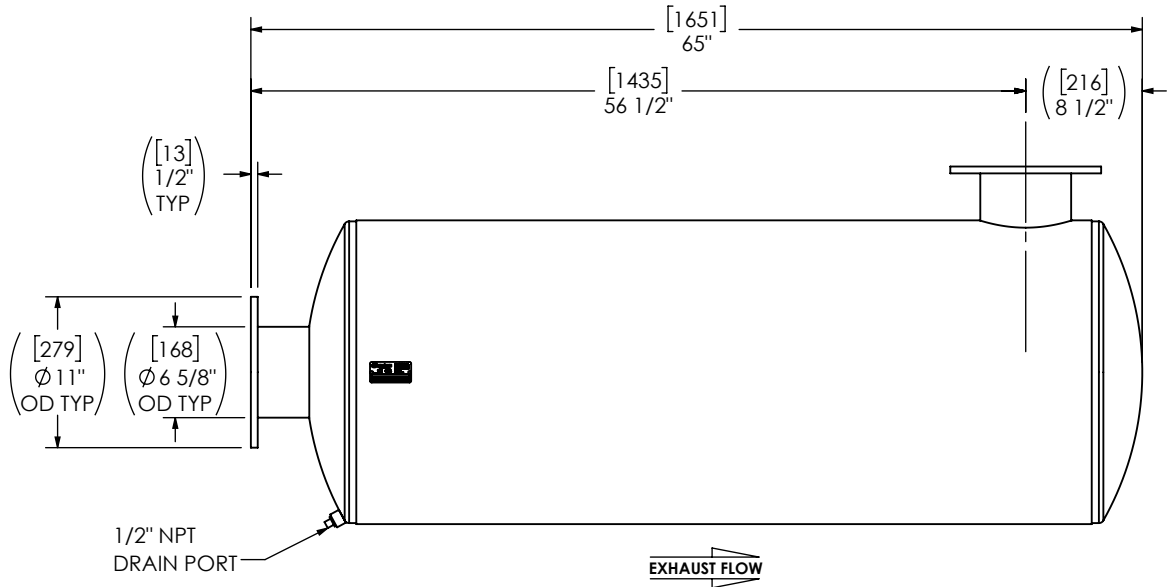
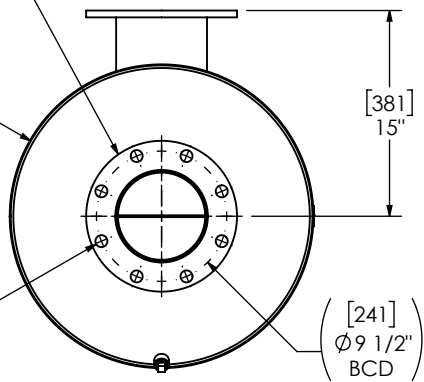
(2) 6" FF FLANGE  
150 lb ANSI  
STANDARD  
BOLT PATTERN

[559]  
Ø 22"  
NOM DIA

[381]  
15"

[22]  
Ø 7/8"  
TYP

[241]  
Ø 9 1/2"  
BCD



**NOTES:**

- DO NOT USE EQUIPMENT TO SUPPORT OTHER PARTS OF THE EXHAUST SYSTEM WITHOUT PROPER REINFORCEMENT

**MATERIAL CONSTRUCTION:**

- CARBON STEEL

**PAINT:**

- HIGH TEMPERATURE BLACK (MIRATECH COATING SYSTEM 5)

PROJECT NAME	<b>PROPRIETARY AND CONFIDENTIAL</b> THE INFORMATION CONTAINED IN THIS DRAWING IS THE SOLE PROPERTY OF MIRATECH. ANY REPRODUCTION IN PART OR AS A WHOLE WITHOUT THE WRITTEN PERMISSION OF MIRATECH IS PROHIBITED.	ALL DIMENSIONS IN INCHES (MILLIMETERS) UNLESS OTHERWISE SPECIFIED. CRITICAL DIMENSIONS ARE <b>CIRCLED</b>					
PROPOSAL NUMBER		TOLERANCES UNLESS OTHERWISE SPECIFIED: < 12 [305] ±1/8 [3] 12 [305] ≥ 36 [915] ±3/16 [5] 36 [915] ≥ 360 [9150] ±5/16 [9] > 360 [9150] ±7/16 [12] ANGULAR ±3° WEIGHT ±10%					
SALES ORDER NO.		PROJECTION 		<b>M4EA0-06PF-2-0000211V</b> SILENCER SUPER CRITICAL GRADE M42			
CUSTOMER P.O. [P.N.]		DRAWN MA DATE 2024-01-19 REVIEWED CSF DATE 2024-01-19		SALES DRAWING M4EA0-06PF-2-0000211V SD OEM NO <b>0</b> REV <b>0</b>			
			SIZE A	DO NOT SCALE	SCALE 1:14	WEIGHT 165lb/75kg	SHEET NO. 1 OF 1