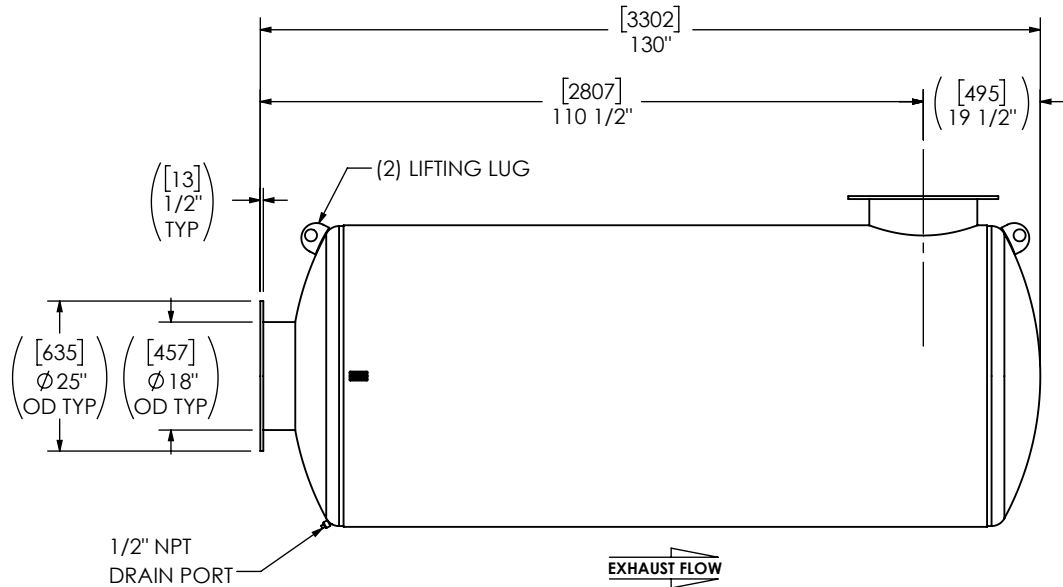
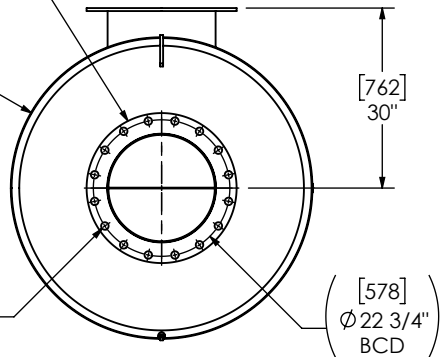


(2) 18" FF FLANGE  
150 lb ANSI  
STANDARD  
BOLT PATTERN

[1270]  
Ø 50"  
NOM DIA

[32]  
Ø 1 1/4"  
TYP

[578]  
Ø 22 3/4"  
BCD



**NOTES:**

- DO NOT USE EQUIPMENT TO SUPPORT OTHER PARTS OF THE EXHAUST SYSTEM WITHOUT PROPER REINFORCEMENT

**MATERIAL CONSTRUCTION:**

- CARBON STEEL

**PAINT:**

- HIGH TEMPERATURE BLACK (MIRATECH COATING SYSTEM 5)

PROJECT NAME	<p><b>PROPRIETARY AND CONFIDENTIAL</b></p> <p>THE INFORMATION CONTAINED IN THIS DRAWING IS THE SOLE PROPERTY OF MIRATECH. ANY REPRODUCTION IN PART OR AS A WHOLE WITHOUT THE WRITTEN PERMISSION OF MIRATECH IS PROHIBITED.</p>	ALL DIMENSIONS IN INCHES (MILLIMETERS) UNLESS OTHERWISE SPECIFIED.																
PROPOSAL NUMBER		CRITICAL DIMENSIONS ARE <b>CIRCLED</b>																
SALES ORDER NO.		<table border="1"> <tr> <th colspan="2">TOLERANCES UNLESS OTHERWISE SPECIFIED</th> </tr> <tr> <td>&lt; 12 [305]</td> <td>±1/8 [3]</td> </tr> <tr> <td>12 [305] ≥ 36 [915]</td> <td>±3/16 [5]</td> </tr> <tr> <td>36 [915] ≥ 360 [9150]</td> <td>±5/16 [9]</td> </tr> <tr> <td>&gt; 360 [9150]</td> <td>±7/16 [12]</td> </tr> <tr> <td>ANGULAR</td> <td>±3°</td> </tr> <tr> <td>WEIGHT</td> <td>±10%</td> </tr> </table>		TOLERANCES UNLESS OTHERWISE SPECIFIED		< 12 [305]	±1/8 [3]	12 [305] ≥ 36 [915]	±3/16 [5]	36 [915] ≥ 360 [9150]	±5/16 [9]	> 360 [9150]	±7/16 [12]	ANGULAR	±3°	WEIGHT	±10%	
TOLERANCES UNLESS OTHERWISE SPECIFIED																		
< 12 [305]	±1/8 [3]																	
12 [305] ≥ 36 [915]	±3/16 [5]																	
36 [915] ≥ 360 [9150]	±5/16 [9]																	
> 360 [9150]	±7/16 [12]																	
ANGULAR	±3°																	
WEIGHT	±10%																	
CUSTOMER P.O. [P.N.]	<p><b>M4EA0-18PF-2-00004N05</b></p> <p>SILENCER SUPER CRITICAL GRADE M42</p>																	
<p>PROJECTION</p>		<p>SALES DRAWING</p> <p>M4EA0-18PF-2-00004N05 SD</p>	<p>OEM NO <b>0</b></p> <p>REV <b>0</b></p>															
		<table border="1"> <tr> <th>DRAWN</th> <th>DATE</th> </tr> <tr> <td>MA</td> <td>2024-01-19</td> </tr> <tr> <th>REVIEWED</th> <th>DATE</th> </tr> <tr> <td>CSF</td> <td>2024-01-19</td> </tr> </table>	DRAWN	DATE	MA	2024-01-19	REVIEWED	DATE	CSF	2024-01-19	<table border="1"> <tr> <th>SIZE</th> <th>SCALE</th> <th>WEIGHT</th> </tr> <tr> <td>A</td> <td>DO NOT SCALE 1:32</td> <td>1388lb/630kg</td> </tr> </table>	SIZE	SCALE	WEIGHT	A	DO NOT SCALE 1:32	1388lb/630kg	<p>SHEET NO. 1 OF 1</p>
DRAWN	DATE																	
MA	2024-01-19																	
REVIEWED	DATE																	
CSF	2024-01-19																	
SIZE	SCALE	WEIGHT																
A	DO NOT SCALE 1:32	1388lb/630kg																