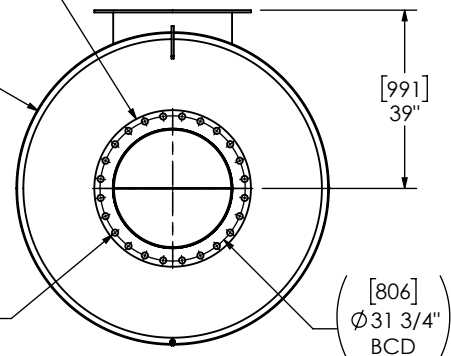


(2) 26" FF FLANGE
150 lb ANSI
STANDARD
BOLT PATTERN

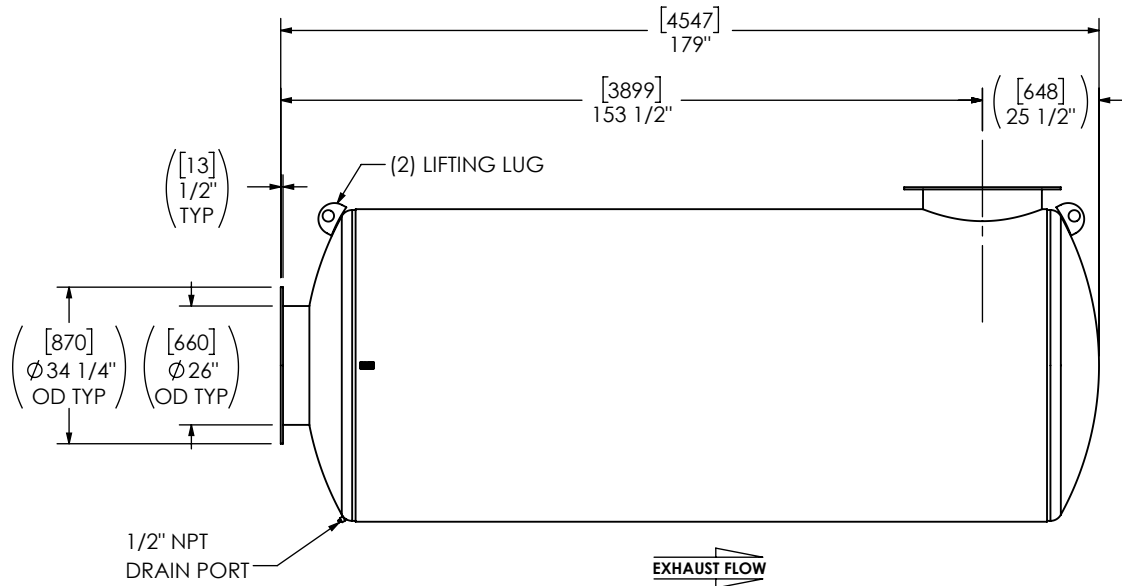
[1727]
Ø 68"
NOM DIA

[35]
Ø 1 3/8"
TYP



[991]
39"

[806]
Ø 31 3/4"
BCD



NOTES:

- DO NOT USE EQUIPMENT TO SUPPORT OTHER PARTS OF THE EXHAUST SYSTEM WITHOUT PROPER REINFORCEMENT

MATERIAL CONSTRUCTION:

- CARBON STEEL

PAINT:

- HIGH TEMPERATURE BLACK (MIRATECH COATING SYSTEM 5)

PROJECT NAME	PROPRIETARY AND CONFIDENTIAL THE INFORMATION CONTAINED IN THIS DRAWING IS THE SOLE PROPERTY OF MIRATECH. ANY REPRODUCTION IN PART OR AS A WHOLE WITHOUT THE WRITTEN PERMISSION OF MIRATECH IS PROHIBITED.	ALL DIMENSIONS IN INCHES (MILLIMETERS) UNLESS OTHERWISE SPECIFIED. CRITICAL DIMENSIONS ARE CIRCLED				
PROPOSAL NUMBER		TOLERANCES UNLESS OTHERWISE SPECIFIED < 12 [305] ±1/8 [3] 12 [305] ≥ 36 [915] ±3/16 [5] 36 [915] ≥ 360 [9150] ±5/16 [9] > 360 [9150] ±7/16 [12]		M4EA0-26PF-2-0000635K SILENCER SUPER CRITICAL GRADE M42		
SALES ORDER NO.		ANGLULAR WEIGHT ±3° ±10%		SALES DRAWING M4EA0-26PF-2-0000635K SD		OEM NO 0
CUSTOMER P.O. [P.N.]		PROJECTION 	DRAWN MA DATE 2024-01-19 REVIEWED CSF DATE 2024-01-19	SIZE A DO NOT SCALE	SCALE 1:42 WEIGHT 3084lb/1401kg	SHEET NO. 1 OF 1