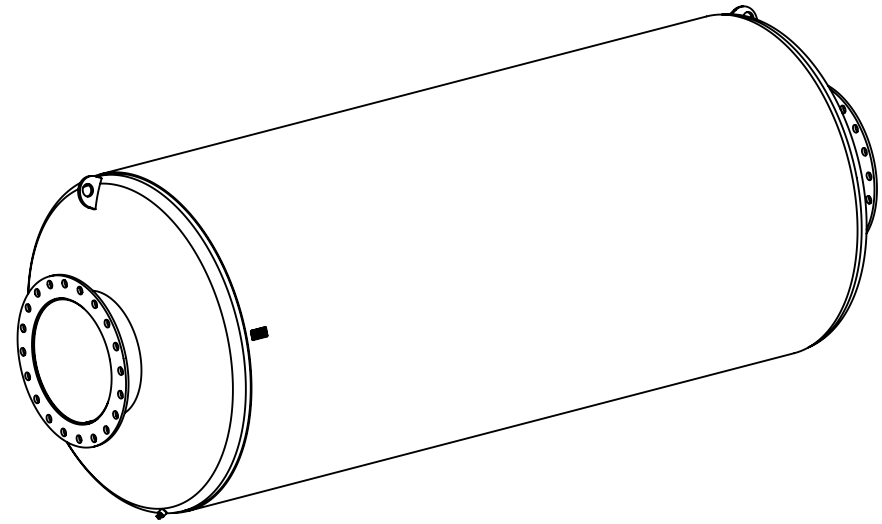
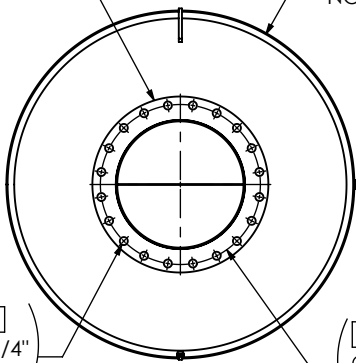


(2) 20" FF FLANGE
150 lb ANSI
STANDARD
BOLT PATTERN

[1372]
Ø 54"
NOM DIA

[32]
Ø 1 1/4"
TYP

[635]
Ø 25"
BCD



[3785]
149"

[13]
1/2"
TYP

(2) LIFTING LUG

[699]
Ø 27 1/2"
OD TYP

[508]
Ø 20"
OD TYP

1/2" NPT
DRAIN PORT

EXHAUST FLOW

NOTES:

- DO NOT USE EQUIPMENT TO SUPPORT OTHER PARTS OF THE EXHAUST SYSTEM WITHOUT PROPER REINFORCEMENT

MATERIAL CONSTRUCTION:

- CARBON STEEL

PAINT:

- HIGH TEMPERATURE BLACK (MIRATECH COATING SYSTEM 5)

PROJECT NAME	PROPRIETARY AND CONFIDENTIAL THE INFORMATION CONTAINED IN THIS DRAWING IS THE SOLE PROPERTY OF MIRATECH. ANY REPRODUCTION IN PART OR AS A WHOLE WITHOUT THE WRITTEN PERMISSION OF MIRATECH IS PROHIBITED.	ALL DIMENSIONS IN INCHES (MILLIMETERS) UNLESS OTHERWISE SPECIFIED.				
PROPOSAL NUMBER		CRITICAL DIMENSIONS ARE CIRCLED				
SALES ORDER NO.		TOLERANCES UNLESS OTHERWISE SPECIFIED < 12 [305] ±1/8 [3] 12 [305] ≥ 36 [915] ±3/16 [5] 36 [915] ≥ 360 [9150] ±5/16 [9] > 360 [9150] ±7/16 [12] ANGULAR ±3° WEIGHT ±10%	M4EE0-20PF-2-00000000 SILENCER SUPER CRITICAL GRADE M42			
CUSTOMER P.O. [P.N.]		PROJECTION 	DRAWN MA DATE 2023-12-05 REVIEWED CSF DATE 2023-12-05	SALES DRAWING M4EE0-20PF-2-00000000 SD	OEM NO 0 REV 0	
		SIZE A	DO NOT SCALE	SCALE 1:30	WEIGHT 1929lb/876kg	SHEET NO. 1 OF 1