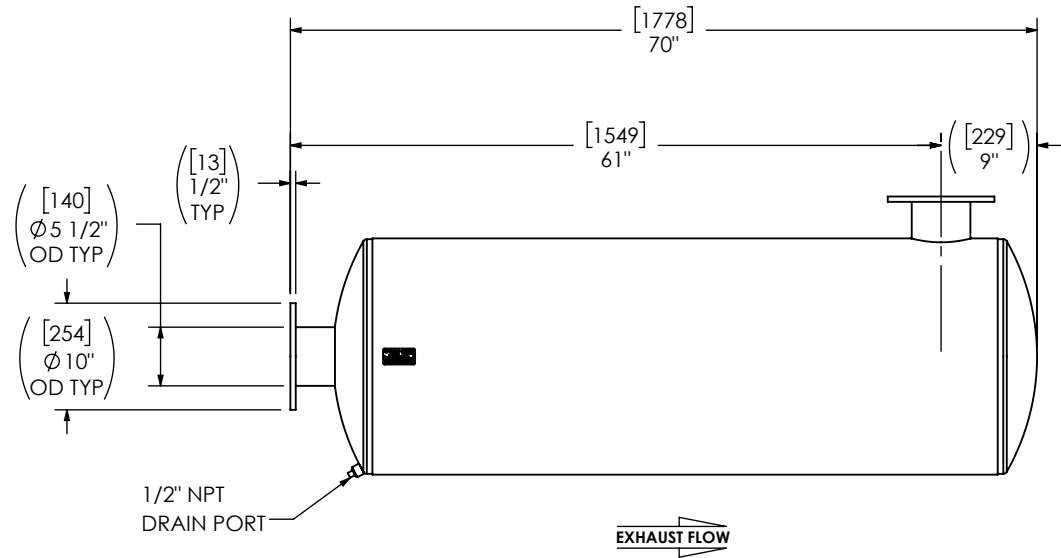
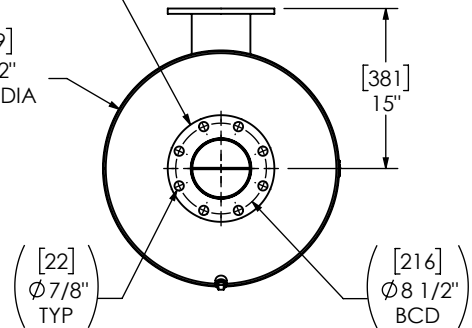


(2) 5" FF FLANGE
150 lb ANSI
STANDARD
BOLT PATTERN

[559]
Ø 22"
NOM DIA



NOTES:

- DO NOT USE EQUIPMENT TO SUPPORT OTHER PARTS OF THE EXHAUST SYSTEM WITHOUT PROPER REINFORCEMENT

MATERIAL CONSTRUCTION:

- CARBON STEEL

PAINT:

- HIGH TEMPERATURE BLACK (MIRATECH COATING SYSTEM 5)

PROJECT NAME	<p>PROPRIETARY AND CONFIDENTIAL</p> <p>THE INFORMATION CONTAINED IN THIS DRAWING IS THE SOLE PROPERTY OF MIRATECH. ANY REPRODUCTION IN PART OR AS A WHOLE WITHOUT THE WRITTEN PERMISSION OF MIRATECH IS PROHIBITED.</p>	ALL DIMENSIONS IN INCHES (MILLIMETERS) UNLESS OTHERWISE SPECIFIED.																						
PROPOSAL NUMBER		CRITICAL DIMENSIONS ARE CIRCLED																						
SALES ORDER NO.		<table border="1"> <tr> <td colspan="2">TOLERANCES UNLESS OTHERWISE SPECIFIED</td> </tr> <tr> <td>< 12 [305]</td> <td>±1/8 [3]</td> </tr> <tr> <td>12 [305] ≥ 36 [915]</td> <td>±3/16 [5]</td> </tr> <tr> <td>36 [915] ≥ 360 [9150]</td> <td>±5/16 [9]</td> </tr> <tr> <td>> 360 [9150]</td> <td>±7/16 [12]</td> </tr> <tr> <td>ANGULAR</td> <td>±3°</td> </tr> <tr> <td>WEIGHT</td> <td>±10%</td> </tr> </table>	TOLERANCES UNLESS OTHERWISE SPECIFIED		< 12 [305]	±1/8 [3]	12 [305] ≥ 36 [915]	±3/16 [5]	36 [915] ≥ 360 [9150]	±5/16 [9]	> 360 [9150]	±7/16 [12]	ANGULAR	±3°	WEIGHT	±10%	<p>M5EA0-05PF-2-00002585</p> <p>SILENCER HOSPITAL GRADE M52</p>							
TOLERANCES UNLESS OTHERWISE SPECIFIED																								
< 12 [305]	±1/8 [3]																							
12 [305] ≥ 36 [915]	±3/16 [5]																							
36 [915] ≥ 360 [9150]	±5/16 [9]																							
> 360 [9150]	±7/16 [12]																							
ANGULAR	±3°																							
WEIGHT	±10%																							
CUSTOMER P.O. [P.N.]	<p>PROJECTION</p>	<table border="1"> <tr> <td>DRAWN</td> <td>SVP</td> <td>DATE</td> <td>2024-01-20</td> </tr> <tr> <td>REVIEWED</td> <td>CSF</td> <td>DATE</td> <td>2024-01-20</td> </tr> </table>	DRAWN	SVP	DATE	2024-01-20	REVIEWED	CSF	DATE	2024-01-20	<p>SALES DRAWING</p> <p>M5EA0-05PF-2-00002585 SD</p> <table border="1"> <tr> <td>SCALE</td> <td>1:18</td> <td>WEIGHT</td> <td>195lb/88kg</td> </tr> </table>	SCALE	1:18	WEIGHT	195lb/88kg	<table border="1"> <tr> <td>OEM NO</td> <td>NO</td> <td>REV</td> <td>0</td> </tr> <tr> <td>SHEET NO.</td> <td colspan="3">1 OF 1</td> </tr> </table>	OEM NO	NO	REV	0	SHEET NO.	1 OF 1		
DRAWN	SVP	DATE	2024-01-20																					
REVIEWED	CSF	DATE	2024-01-20																					
SCALE	1:18	WEIGHT	195lb/88kg																					
OEM NO	NO	REV	0																					
SHEET NO.	1 OF 1																							