

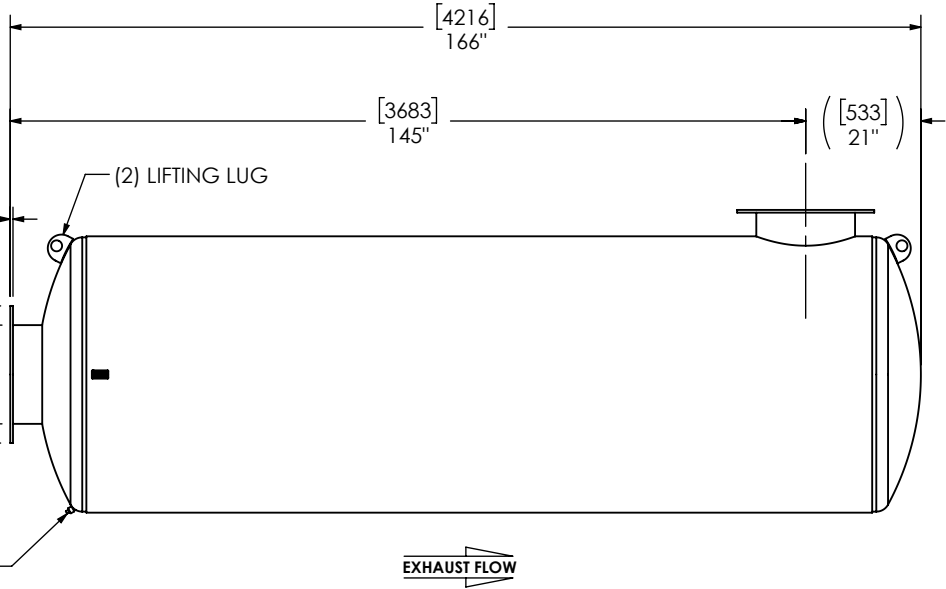
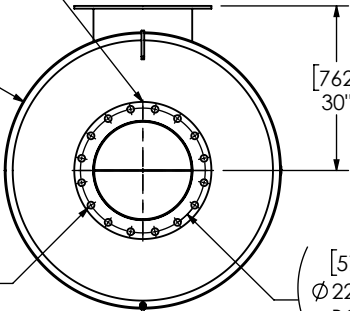
(2) 18" FF FLANGE
150 lb ANSI
STANDARD
BOLT PATTERN

[1270]
Ø 50"
NOM DIA

[762]
30"

([32])
Ø 1 1/4"
TYP

([578])
Ø 22 3/4"
BCD



NOTES:

- DO NOT USE EQUIPMENT TO SUPPORT OTHER PARTS OF THE EXHAUST SYSTEM WITHOUT PROPER REINFORCEMENT

MATERIAL CONSTRUCTION:

- CARBON STEEL

PAINT:

- HIGH TEMPERATURE BLACK (MIRATECH COATING SYSTEM 5)

PROJECT NAME	PROPRIETARY AND CONFIDENTIAL THE INFORMATION CONTAINED IN THIS DRAWING IS THE SOLE PROPERTY OF MIRATECH. ANY REPRODUCTION IN PART OR AS A WHOLE WITHOUT THE WRITTEN PERMISSION OF MIRATECH IS PROHIBITED.	ALL DIMENSIONS IN INCHES (MILLIMETERS) UNLESS OTHERWISE SPECIFIED. CRITICAL DIMENSIONS ARE CIRCLED			
PROPOSAL NUMBER		TOLERANCES UNLESS OTHERWISE SPECIFIED < 12 [305] ±1/8 [3] 12 [305] ≥ 36 [915] ±3/16 [5] 36 [915] ≥ 360 [9150] ±5/16 [9] > 360 [9150] ±7/16 [12]			
SALES ORDER NO.		PROJECTION 	DRAWN SK DATE 2024-01-20 REVIEWED CSF DATE 2024-01-20	SIZE A SCALE DO NOT SCALE WEIGHT 2292lb/1041kg	OEM NO 0 SHEET NO. 1 OF 1
CUSTOMER P.O. [P.N.]		SALES DRAWING M5EA0-18PF-2-000050J0 SD		M5EA0-18PF-2-000050J0 SILENCER HOSPITAL GRADE M52	