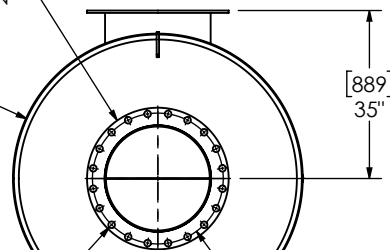


(2) 22" FF FLANGE  
150 lb ANSI  
STANDARD  
BOLT PATTERN

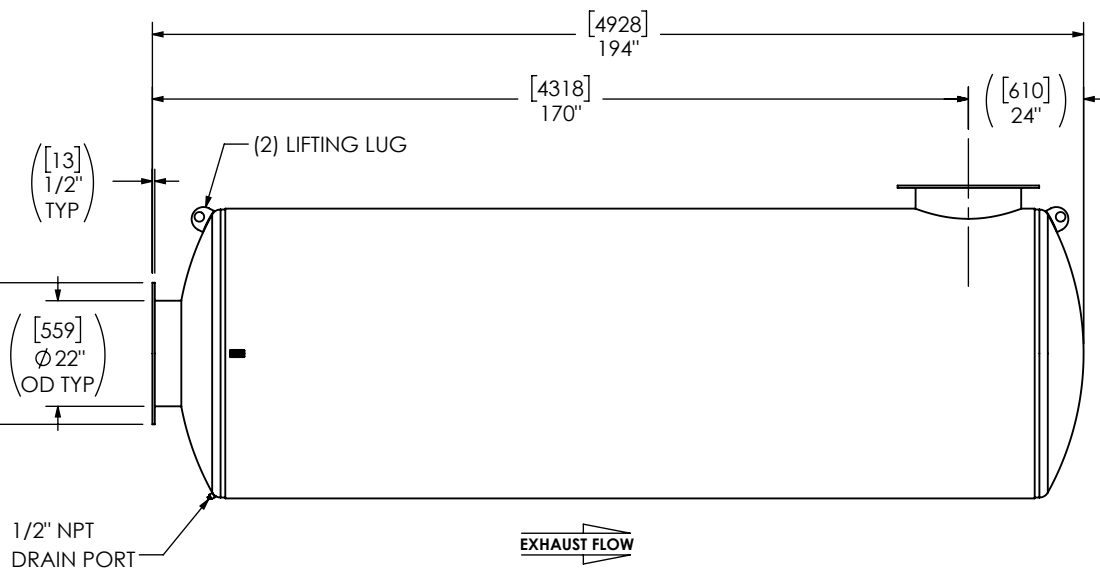
[1524]  
Ø 60"  
NOM DIA



[889]  
35"

( [35] )  
Ø 1 3/8"  
TYP

( [692] )  
Ø 27 1/4"  
BCD



**NOTES:**

- DO NOT USE EQUIPMENT TO SUPPORT OTHER PARTS OF THE EXHAUST SYSTEM WITHOUT PROPER REINFORCEMENT

**MATERIAL CONSTRUCTION:**

- CARBON STEEL

**PAINT:**

- HIGH TEMPERATURE BLACK (MIRATECH COATING SYSTEM 5)

PROJECT NAME	<b>PROPRIETARY AND CONFIDENTIAL</b> THE INFORMATION CONTAINED IN THIS DRAWING IS THE SOLE PROPERTY OF MIRATECH. ANY REPRODUCTION IN PART OR AS A WHOLE WITHOUT THE WRITTEN PERMISSION OF MIRATECH IS PROHIBITED.	ALL DIMENSIONS IN INCHES (MILLIMETERS) UNLESS OTHERWISE SPECIFIED.				
PROPOSAL NUMBER		CRITICAL DIMENSIONS ARE CIRCLED				
SALES ORDER NO.		TOLERANCES UNLESS OTHERWISE SPECIFIED < 12 [305] ±1/8 [3] 12 [305] ≥ 36 [915] ±3/16 [5] 36 [915] ≥ 360 [9150] ±5/16 [9] > 360 [9150] ±7/16 [12] ANGULAR ±3° WEIGHT ±10%		<b>M5EA0-22PF-2-00005QLQ</b> SILENCER HOSPITAL GRADE M52		
CUSTOMER P.O. [P.N.]		PROJECTION 	DRAWN MA DATE 2024-01-20 REVIEWED CSF DATE 2024-01-20	SALES DRAWING M5EA0-22PF-2-00005QLQ SD	OEM NO REV NO 0	
		SIZE A	DO NOT SCALE	SCALE 1:40	WEIGHT 3292lb/1496kg	SHEET NO. 1 OF 1