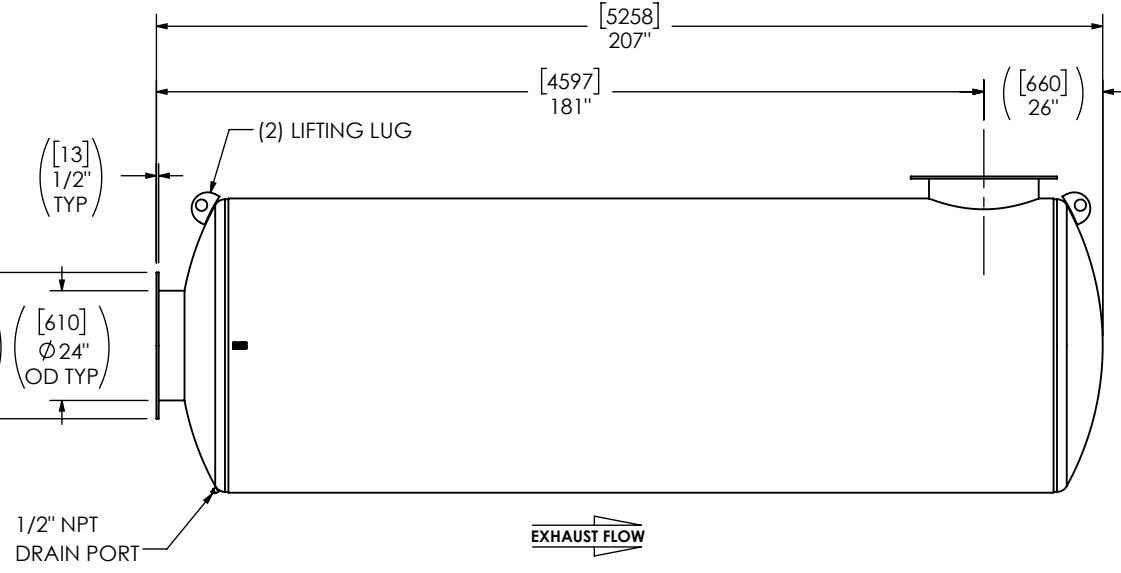
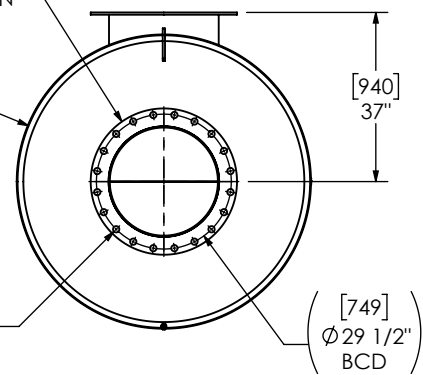


(2) 24" FF FLANGE
150 lb ANSI
STANDARD
BOLT PATTERN

[1626]
Ø 64"
NOM DIA



NOTES:

- DO NOT USE EQUIPMENT TO SUPPORT OTHER PARTS OF THE EXHAUST SYSTEM WITHOUT PROPER REINFORCEMENT

MATERIAL CONSTRUCTION:

- CARBON STEEL

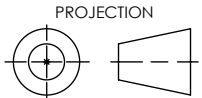
PAINT:

- HIGH TEMPERATURE BLACK (MIRATECH COATING SYSTEM 5)

PROJECT NAME	
PROPOSAL NUMBER	
SALES ORDER NO.	
CUSTOMER P.O. [P.N.]	

PROPRIETARY AND CONFIDENTIAL

THE INFORMATION CONTAINED IN THIS DRAWING IS THE SOLE PROPERTY OF MIRATECH. ANY REPRODUCTION IN PART OR AS A WHOLE WITHOUT THE WRITTEN PERMISSION OF MIRATECH IS PROHIBITED.



ALL DIMENSIONS IN INCHES (MILLIMETERS) UNLESS OTHERWISE SPECIFIED.	
CRITICAL DIMENSIONS ARE CIRCLED	
TOLERANCES UNLESS OTHERWISE SPECIFIED	
< 12 [305]	±1/8 [3]
12 [305] ≥ 36 [915]	±3/16 [5]
36 [915] ≥ 360 [9150]	±5/16 [9]
> 360 [9150]	±7/16 [12]
ANGULAR	±3°
WEIGHT	±10%
DRAWN	DATE
MA	2024-01-20
REVIEWED	DATE
CSF	2024-01-20

M5EA0-24PF-2-000067BV
SILENCER HOSPITAL GRADE M52

SALES DRAWING
M5EA0-24PF-2-000067BV SD

OEM NO	REV
	0

SIZE	SCALE	WEIGHT	SHEET NO.
A	DO NOT SCALE 1:42	3711lb/1687kg	1 OF 1