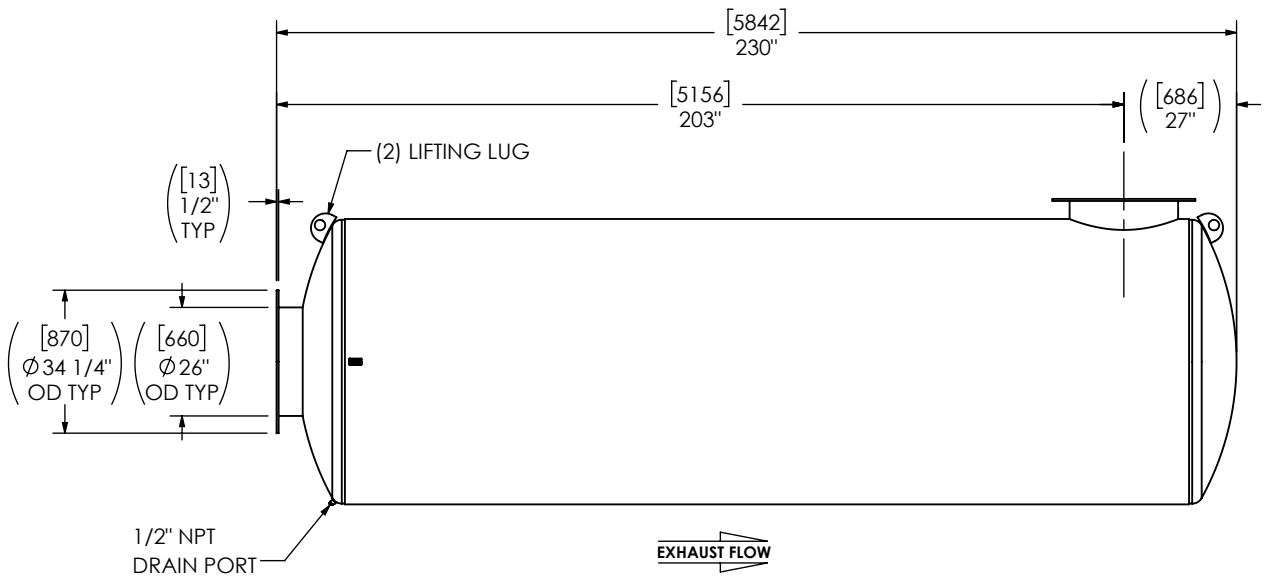
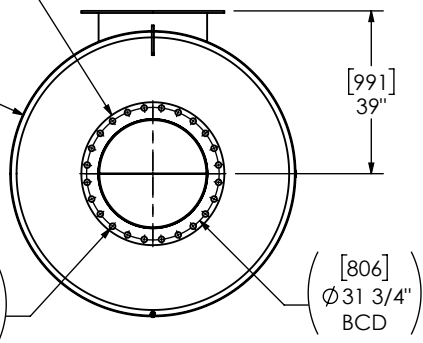


(2) 26" FF FLANGE
150 lb ANSI
STANDARD
BOLT PATTERN

[1727]
Ø 68"
NOM DIA



NOTES:

- DO NOT USE EQUIPMENT TO SUPPORT OTHER PARTS OF THE EXHAUST SYSTEM WITHOUT PROPER REINFORCEMENT

MATERIAL CONSTRUCTION:

- CARBON STEEL

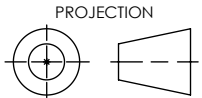
PAINT:

- HIGH TEMPERATURE BLACK (MIRATECH COATING SYSTEM 5)

PROJECT NAME	
PROPOSAL NUMBER	
SALES ORDER NO.	
CUSTOMER P.O. [P.N.]	

PROPRIETARY AND CONFIDENTIAL

THE INFORMATION CONTAINED IN THIS DRAWING IS THE SOLE PROPERTY OF MIRATECH. ANY REPRODUCTION IN PART OR AS A WHOLE WITHOUT THE WRITTEN PERMISSION OF MIRATECH IS PROHIBITED.



ALL DIMENSIONS IN INCHES (MILLIMETERS) UNLESS OTHERWISE SPECIFIED.	
CRITICAL DIMENSIONS ARE CIRCLED	
TOLERANCES UNLESS OTHERWISE SPECIFIED	
< 12 [305]	±1/8 [3]
12 [305] ≥ 36 [915]	±3/16 [5]
36 [915] ≥ 360 [9150]	±5/16 [9]
> 360 [9150]	±7/16 [12]
ANGULAR	±3°
WEIGHT	±10%
DRAWN	DATE 2024-01-20
MA	
REVIEWED	DATE 2024-01-20
CSF	

M5EA0-26PF-2-00006FPF

SILENCER HOSPITAL GRADE M52

SALES DRAWING
M5EA0-26PF-2-00006FPF SD

SCALE	WEIGHT	OEM NO	REV
DO NOT SCALE	4372lb/1987kg		0
SIZE		SHEET NO.	
A		1 OF 1	