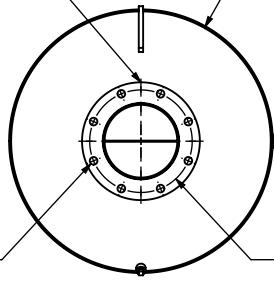


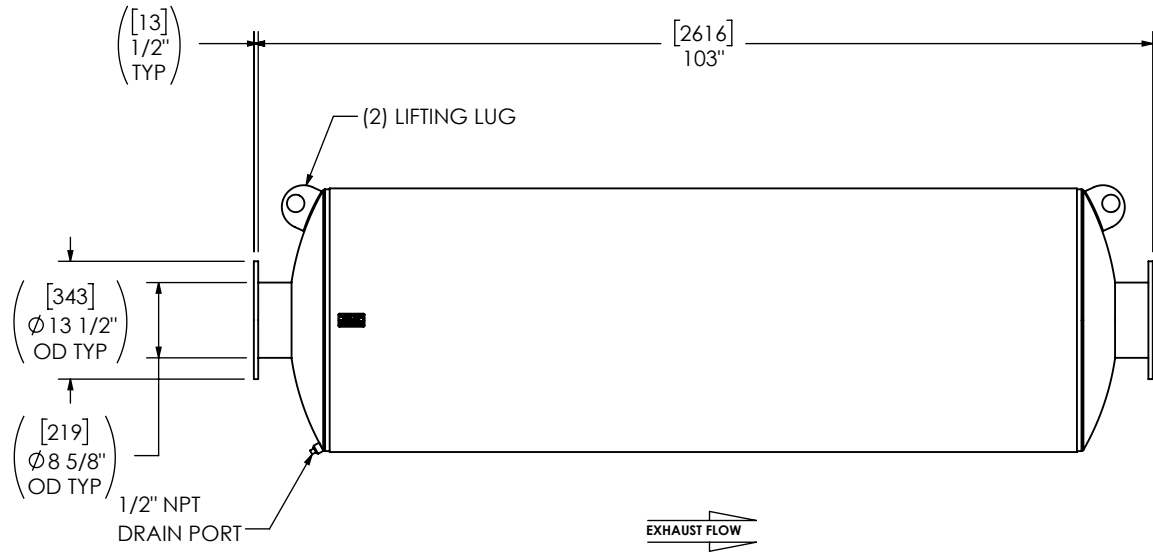
(2) 8" FF FLANGE  
150 lb ANSI  
STANDARD  
BOLT PATTERN

[762]  
Ø 30"  
NOM DIA

( [22] )  
Ø 7/8"  
TYP



( [298] )  
Ø 11 3/4"  
BCD



**NOTES:**

- DO NOT USE EQUIPMENT TO SUPPORT OTHER PARTS OF THE EXHAUST SYSTEM WITHOUT PROPER REINFORCEMENT

**MATERIAL CONSTRUCTION:**

- CARBON STEEL

**PAINT:**

- HIGH TEMPERATURE BLACK (MIRATECH COATING SYSTEM 5)

PROJECT NAME	<p><b>PROPRIETARY AND CONFIDENTIAL</b></p> <p>THE INFORMATION CONTAINED IN THIS DRAWING IS THE SOLE PROPERTY OF MIRATECH. ANY REPRODUCTION IN PART OR AS A WHOLE WITHOUT THE WRITTEN PERMISSION OF MIRATECH IS PROHIBITED.</p>	ALL DIMENSIONS IN INCHES (MILLIMETERS) UNLESS OTHERWISE SPECIFIED.														
PROPOSAL NUMBER		CRITICAL DIMENSIONS ARE <u>CIRCLED</u>														
SALES ORDER NO.		<p>TOLERANCES UNLESS OTHERWISE SPECIFIED</p> <table border="1"> <tr> <td>&lt; 12 [305]</td> <td>±1/8 [3]</td> </tr> <tr> <td>12 [305] ≥ 36 [915]</td> <td>±3/16 [5]</td> </tr> <tr> <td>36 [915] ≥ 360 [9150]</td> <td>±5/16 [9]</td> </tr> <tr> <td>&gt; 360 [9150]</td> <td>±7/16 [12]</td> </tr> <tr> <td>ANGULAR</td> <td>±3°</td> </tr> <tr> <td>WEIGHT</td> <td>±10%</td> </tr> </table>	< 12 [305]	±1/8 [3]	12 [305] ≥ 36 [915]	±3/16 [5]	36 [915] ≥ 360 [9150]	±5/16 [9]	> 360 [9150]	±7/16 [12]	ANGULAR	±3°	WEIGHT	±10%	<p><b>M5EE0-08PF-2-00000000</b></p> <p>SILENCER HOSPITAL GRADE M52</p>	
< 12 [305]		±1/8 [3]														
12 [305] ≥ 36 [915]	±3/16 [5]															
36 [915] ≥ 360 [9150]	±5/16 [9]															
> 360 [9150]	±7/16 [12]															
ANGULAR	±3°															
WEIGHT	±10%															
CUSTOMER P.O. [P.N.]	<p>PROJECTION</p>	<table border="1"> <tr> <td>DRAWN</td> <td>SK</td> <td>DATE</td> <td>2023-12-05</td> </tr> <tr> <td>REVIEWED</td> <td>CSF</td> <td>DATE</td> <td>2023-12-05</td> </tr> </table>	DRAWN	SK	DATE	2023-12-05	REVIEWED	CSF	DATE	2023-12-05	<p>SALES DRAWING</p> <p>M5EE0-08PF-2-00000000 SD</p>	<table border="1"> <tr> <td>OEM NO</td> <td>REV</td> </tr> <tr> <td></td> <td>0</td> </tr> </table>	OEM NO	REV		0
DRAWN	SK	DATE	2023-12-05													
REVIEWED	CSF	DATE	2023-12-05													
OEM NO	REV															
	0															
		<table border="1"> <tr> <td>SIZE</td> <td>SCALE</td> <td>WEIGHT</td> <td>SHEET NO.</td> </tr> <tr> <td>A</td> <td>DO NOT SCALE</td> <td>495lb/225kg</td> <td>1 OF 1</td> </tr> </table>	SIZE	SCALE	WEIGHT	SHEET NO.	A	DO NOT SCALE	495lb/225kg	1 OF 1						
SIZE	SCALE	WEIGHT	SHEET NO.													
A	DO NOT SCALE	495lb/225kg	1 OF 1													