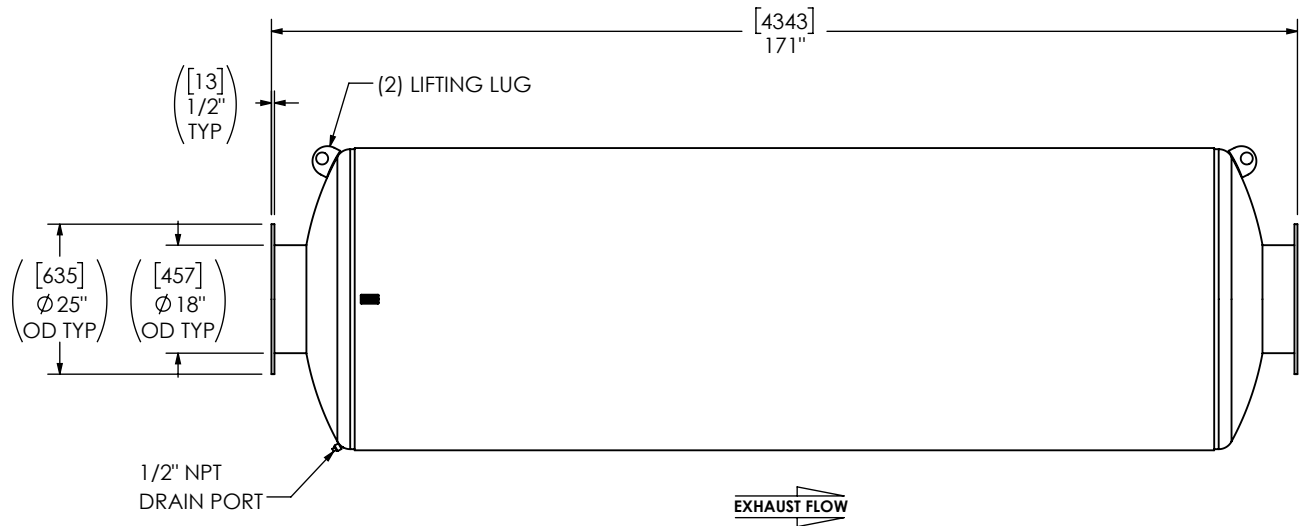
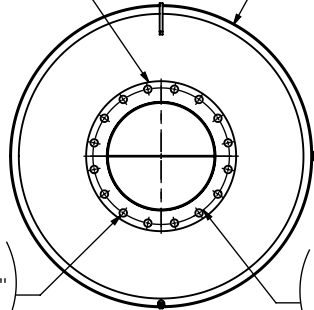


(2) 18" FF FLANGE
150 lb ANSI
STANDARD
BOLT PATTERN

[1270]
Ø 50"
NOM DIA

[32]
Ø 1 1/4"
TYP

[578]
Ø 22 3/4"
BCD



NOTES:

- DO NOT USE EQUIPMENT TO SUPPORT OTHER PARTS OF THE EXHAUST SYSTEM WITHOUT PROPER REINFORCEMENT

MATERIAL CONSTRUCTION:

- CARBON STEEL

PAINT:

- HIGH TEMPERATURE BLACK (MIRATECH COATING SYSTEM 5)

PROJECT NAME	<p>PROPRIETARY AND CONFIDENTIAL</p> <p>THE INFORMATION CONTAINED IN THIS DRAWING IS THE SOLE PROPERTY OF MIRATECH. ANY REPRODUCTION IN PART OR AS A WHOLE WITHOUT THE WRITTEN PERMISSION OF MIRATECH IS PROHIBITED.</p>	ALL DIMENSIONS IN INCHES (MILLIMETERS) UNLESS OTHERWISE SPECIFIED.														
PROPOSAL NUMBER		CRITICAL DIMENSIONS ARE <u>CIRCLED</u>														
SALES ORDER NO.		<p>TOLERANCES UNLESS OTHERWISE SPECIFIED</p> <table border="1"> <tr> <td>< 12 [305]</td> <td>±1/8 [3]</td> </tr> <tr> <td>12 [305] ≥ 36 [915]</td> <td>±3/16 [5]</td> </tr> <tr> <td>36 [915] ≥ 360 [9150]</td> <td>±5/16 [9]</td> </tr> <tr> <td>> 360 [9150]</td> <td>±7/16 [12]</td> </tr> <tr> <td>ANGULAR</td> <td>±3°</td> </tr> <tr> <td>WEIGHT</td> <td>±10%</td> </tr> </table>	< 12 [305]	±1/8 [3]	12 [305] ≥ 36 [915]	±3/16 [5]	36 [915] ≥ 360 [9150]	±5/16 [9]	> 360 [9150]	±7/16 [12]	ANGULAR	±3°	WEIGHT	±10%	<p>M5EE0-18PF-2-00000000</p> <p>SILENCER HOSPITAL GRADE M52</p>	
< 12 [305]		±1/8 [3]														
12 [305] ≥ 36 [915]	±3/16 [5]															
36 [915] ≥ 360 [9150]	±5/16 [9]															
> 360 [9150]	±7/16 [12]															
ANGULAR	±3°															
WEIGHT	±10%															
CUSTOMER P.O. [P.N.]	<p>PROJECTION</p>	<p>SALES DRAWING</p> <p>M5EE0-18PF-2-00000000 SD</p>	OEM NO	REV 0												
		<p>DRAWN MA DATE 2023-12-02</p> <p>REVIEWED CSF DATE 2023-12-02</p>	<p>SCALE 1:32</p> <p>WEIGHT 2288lb/1040kg</p>	SHEET NO. 1 OF 1												