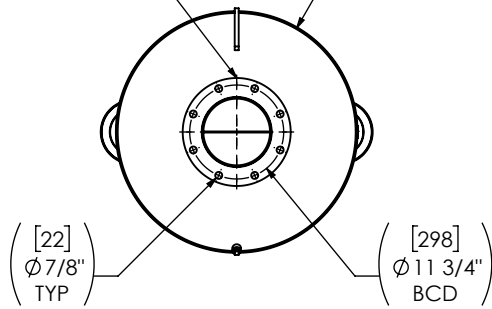


(2) 8" FF FLANGE
150 lb ANSI
STANDARD
BOLT PATTERN

[762]
Ø30"
NOM DIA



[22]
Ø7/8"
TYP

[298]
Ø11 3/4"
BCD

[13]
1/2"
TYP

(2) LIFTING LUG

[2616]
103"

[219]
Ø8 5/8"
OD TYP

1/2" NPT
DRAIN PORT

[343]
Ø13 1/2"
OD TYP

EXHAUST FLOW

NOTES:

- DO NOT USE EQUIPMENT TO SUPPORT OTHER PARTS OF THE EXHAUST SYSTEM WITHOUT PROPER REINFORCEMENT

MATERIAL CONSTRUCTION:

- CARBON STEEL

PAINT:

- HIGH TEMPERATURE BLACK (MIRATECH COATING SYSTEM 5)

PROJECT NAME	PROPRIETARY AND CONFIDENTIAL THE INFORMATION CONTAINED IN THIS DRAWING IS THE SOLE PROPERTY OF MIRATECH. ANY REPRODUCTION IN PART OR AS A WHOLE WITHOUT THE WRITTEN PERMISSION OF MIRATECH IS PROHIBITED.	ALL DIMENSIONS IN INCHES (MILLIMETERS) UNLESS OTHERWISE SPECIFIED.						
PROPOSAL NUMBER		CRITICAL DIMENSIONS ARE <u>CIRCLED</u>						
SALES ORDER NO.		TOLERANCES UNLESS OTHERWISE SPECIFIED < 12 [305] ±1/8 [3] 12 [305] ≥ 36 [915] ±3/16 [5] 36 [915] ≥ 360 [9150] ±5/16 [9] > 360 [9150] ±7/16 [12]		M6EE0-08PF-2-00000000 SILENCER SUPER HOSPITAL GRADE M62				
CUSTOMER P.O. [P.N.]		ANGLULAR WEIGHT ±3° ±10%		SALES DRAWING M6EE0-08PF-2-00000000 SD		OEM NO 0		
PROJECTION 		DRAWN RR DATE 2023-12-06	REVIEWED CSF DATE 2023-12-06	SIZE A	DO NOT SCALE	SCALE 1:24	WEIGHT 542lb/246kg	SHEET NO. 1 OF 1