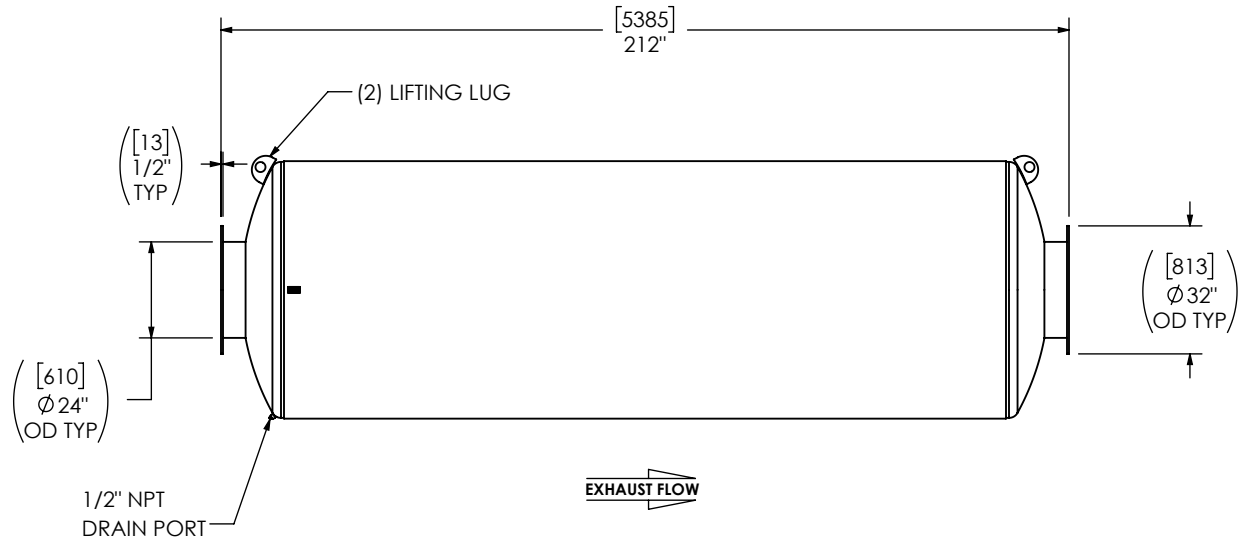
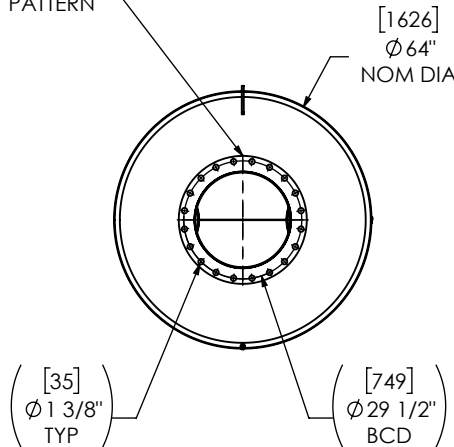


(2) 24" FF FLANGE
150 lb ANSI
STANDARD
BOLT PATTERN



NOTES:

- DO NOT USE EQUIPMENT TO SUPPORT OTHER PARTS OF THE EXHAUST SYSTEM WITHOUT PROPER REINFORCEMENT

MATERIAL CONSTRUCTION:

- CARBON STEEL

PAINT:

- HIGH TEMPERATURE BLACK (MIRATECH COATING SYSTEM 5)

PROJECT NAME	PROPRIETARY AND CONFIDENTIAL THE INFORMATION CONTAINED IN THIS DRAWING IS THE SOLE PROPERTY OF MIRATECH. ANY REPRODUCTION IN PART OR AS A WHOLE WITHOUT THE WRITTEN PERMISSION OF MIRATECH IS PROHIBITED.	ALL DIMENSIONS IN INCHES (MILLIMETERS) UNLESS OTHERWISE SPECIFIED.			
PROPOSAL NUMBER		CRITICAL DIMENSIONS ARE CIRCLED			
SALES ORDER NO.		TOLERANCES UNLESS OTHERWISE SPECIFIED < 12 [305] ±1/8 [3] 12 [305] ≥ 36 [915] ±3/16 [5] 36 [915] ≥ 360 [9150] ±5/16 [9] > 360 [9150] ±7/16 [12] ANGULAR ±3° WEIGHT ±10%		M6EE0-24PF-2-00000000 SILENCER SUPER HOSPITAL GRADE M62	
CUSTOMER P.O. [P.N.]		SALES DRAWING M6EE0-24PF-2-00000000 SD		OEM NO	REV
		DRWN RR	DATE 2023-12-06	SCALE 1:48	WEIGHT 3871lb/1759kg
		REVIEWED CSF	DATE 2023-12-06	SIZE A	DO NOT SCALE
					SHEET NO. 1 OF 1