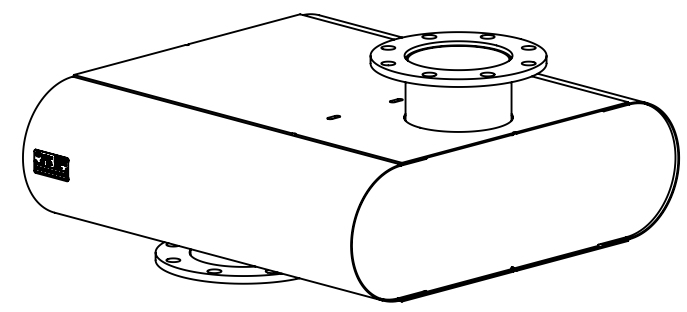
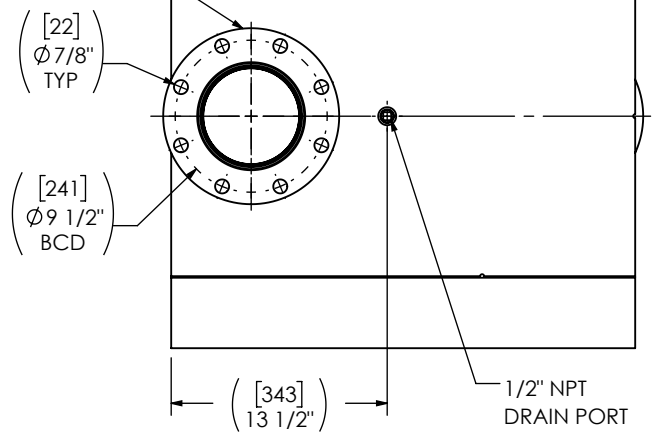


(2) 6" FF FLANGE  
150 lb ANSI  
STANDARD  
BOLT PATTERN



- NOTES:**
- DO NOT USE EQUIPMENT TO SUPPORT OTHER PARTS OF THE EXHAUST SYSTEM WITHOUT PROPER REINFORCEMENT
- MATERIAL CONSTRUCTION:**
- CARBON STEEL
- PAINT:**
- HIGH TEMPERATURE BLACK (MIRATECH COATING SYSTEM 5)

PROJECT NAME	<b>PROPRIETARY AND CONFIDENTIAL</b> THE INFORMATION CONTAINED IN THIS DRAWING IS THE SOLE PROPERTY OF MIRATECH. ANY REPRODUCTION IN PART OR AS A WHOLE WITHOUT THE WRITTEN PERMISSION OF MIRATECH IS PROHIBITED.	ALL DIMENSIONS IN INCHES (MILLIMETERS) UNLESS OTHERWISE SPECIFIED.			
PROPOSAL NUMBER		CRITICAL DIMENSIONS ARE CIRCLED			
SALES ORDER NO.		TOLERANCES UNLESS OTHERWISE SPECIFIED < 12 [305] ±1/8 [3] 12 [305] ≥ 36 [915] ±3/16 [5] 36 [915] ≥ 360 [9150] ±5/16 [9] > 360 [9150] ±7/16 [12]			
CUSTOMER P.O. [P.N.]		ANGLULAR ±3° WEIGHT ±10%	<b>MR2BT0-06PF-2-000016UA</b> SILENCER RESIDENTIAL GRADE MR22		
		PROJECTION	SALES DRAWING		OEM
			MR2BT0-06PF-2-000016UA SD		NO
			DRAWN MA DATE 2024-04-18	SCALE DO NOT SCALE	REV 0
			REVIEWED CSF DATE 2024-04-18	SIZE A	WEIGHT 120lb/54kg
				SCALE 1:12	SHEET NO. 1 OF 1