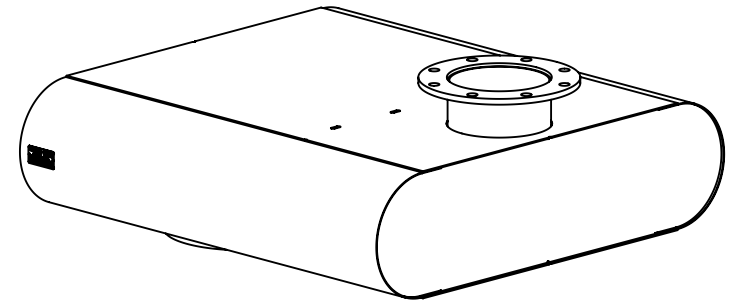
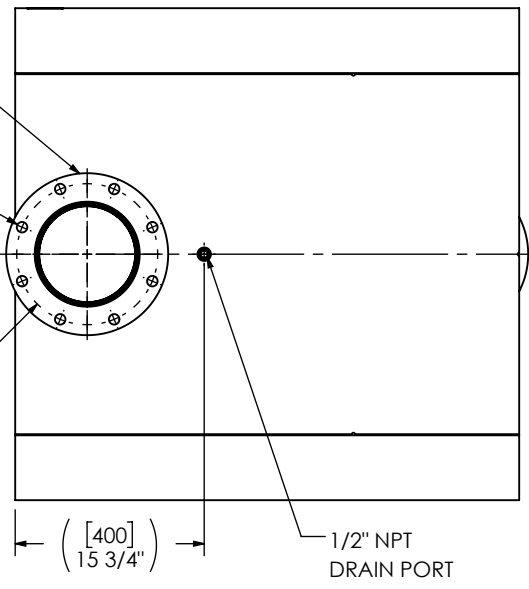


(2) 8" FF FLANGE
150 lb ANSI
STANDARD
BOLT PATTERN

([22])
Ø 7/8"
TYP

([298])
Ø 11 3/4"
BCD



- NOTES:**
- DO NOT USE EQUIPMENT TO SUPPORT OTHER PARTS OF THE EXHAUST SYSTEM WITHOUT PROPER REINFORCEMENT
- MATERIAL CONSTRUCTION:**
- CARBON STEEL
- PAINT:**
- HIGH TEMPERATURE BLACK (MIRATECH COATING SYSTEM 5)

PROJECT NAME	PROPRIETARY AND CONFIDENTIAL THE INFORMATION CONTAINED IN THIS DRAWING IS THE SOLE PROPERTY OF MIRATECH. ANY REPRODUCTION IN PART OR AS A WHOLE WITHOUT THE WRITTEN PERMISSION OF MIRATECH IS PROHIBITED.	ALL DIMENSIONS IN INCHES (MILLIMETERS) UNLESS OTHERWISE SPECIFIED.				
PROPOSAL NUMBER		CRITICAL DIMENSIONS ARE CIRCLED				
SALES ORDER NO.		TOLERANCES UNLESS OTHERWISE SPECIFIED < 12 [305] ±1/8 [3] 12 [305] ≥ 36 [915] ±3/16 [5] 36 [915] ≥ 360 [9150] ±5/16 [9] > 360 [9150] ±7/16 [12] ANGULAR ±3° WEIGHT ±10%		MR2BT0-08PF-2-00001F75 SILENCER RESIDENTIAL GRADE MR22		
CUSTOMER P.O. [P.N.]		PROJECTION 		SALES DRAWING MR2BT0-08PF-2-00001F75 SD		OEM NO REV 0
		DRAWN MA REVIEWED CSF	DATE 2024-04-18 DATE 2024-04-18	SIZE A DO NOT SCALE	SCALE 1:16 WEIGHT 217lb/98kg	SHEET NO. 1 OF 1