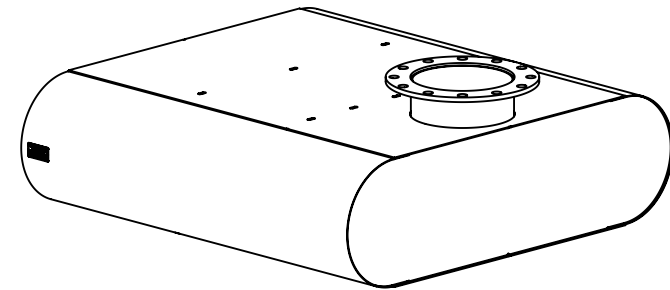
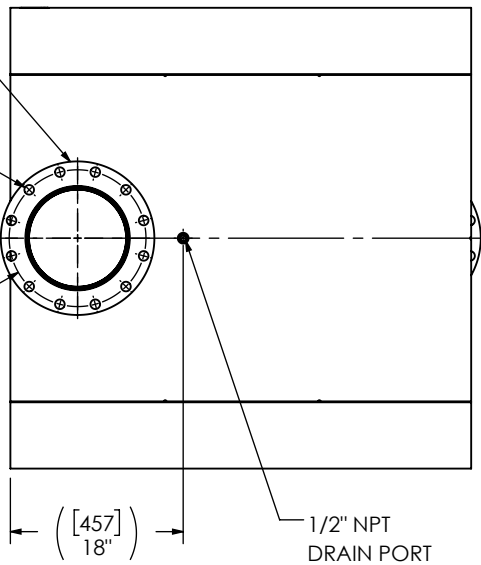


(2) 10" FF FLANGE
150 lb ANSI
STANDARD
BOLT PATTERN

([25])
 $\phi 1''$
TYP

([362])
 $\phi 14\ 1/4''$
BCD



NOTES:

- DO NOT USE EQUIPMENT TO SUPPORT OTHER PARTS OF THE EXHAUST SYSTEM WITHOUT PROPER REINFORCEMENT

MATERIAL CONSTRUCTION:

- CARBON STEEL

PAINT:

- HIGH TEMPERATURE BLACK (MIRATECH COATING SYSTEM 5)

PROJECT NAME	PROPRIETARY AND CONFIDENTIAL THE INFORMATION CONTAINED IN THIS DRAWING IS THE SOLE PROPERTY OF MIRATECH. ANY REPRODUCTION IN PART OR AS A WHOLE WITHOUT THE WRITTEN PERMISSION OF MIRATECH IS PROHIBITED.	ALL DIMENSIONS IN INCHES (MILLIMETERS) UNLESS OTHERWISE SPECIFIED. CRITICAL DIMENSIONS ARE CIRCLED				
PROPOSAL NUMBER		TOLERANCES UNLESS OTHERWISE SPECIFIED < 12 [305] ±1/8 [3] 12 [305] ≥ 36 [915] ±3/16 [5] 36 [915] ≥ 360 [9150] ±5/16 [9] > 360 [9150] ±7/16 [12] ANGULAR ±3° WEIGHT ±10%				MR2BT0-10PF-2-00001NK0 SILENCER RESIDENTIAL GRADE MR22
SALES ORDER NO.		PROJECTION 		SALES DRAWING MR2BT0-10PF-2-00001NK0 SD		OEM NO 0
CUSTOMER P.O. [P.N.]		DRAWN MA DATE 2024-04-18 REVIEWED CSF DATE 2024-04-18	SIZE A DO NOT SCALE	SCALE 1:20 WEIGHT 318lb/144kg	SHEET NO. 1 OF 1	REV 0