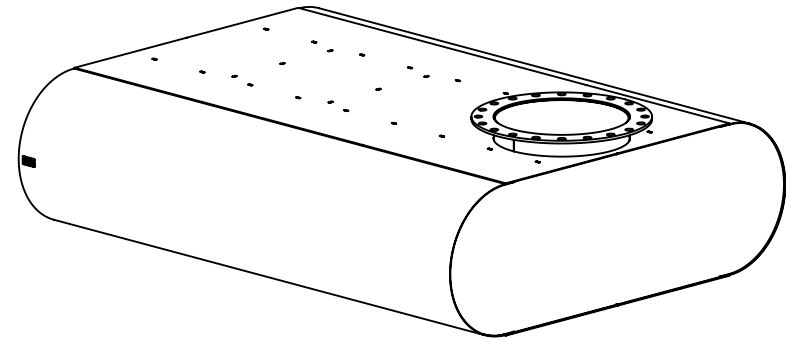
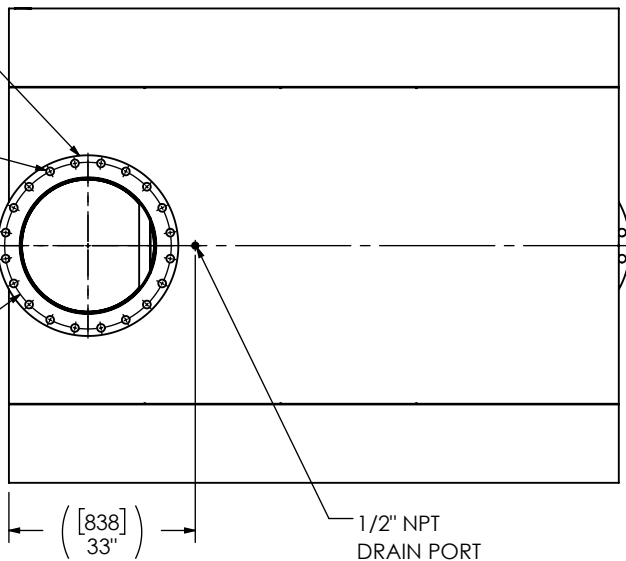


(2) 24" FF FLANGE  
150 lb ANSI  
STANDARD  
BOLT PATTERN

([35])  
Ø 1 3/8"  
TYP

([749])  
Ø 29 1/2"  
BCD



**NOTES:**

- DO NOT USE EQUIPMENT TO SUPPORT OTHER PARTS OF THE EXHAUST SYSTEM WITHOUT PROPER REINFORCEMENT

**MATERIAL CONSTRUCTION:**

- CARBON STEEL

**PAINT:**

- HIGH TEMPERATURE BLACK (MIRATECH COATING SYSTEM 5)

PROJECT NAME	<b>PROPRIETARY AND CONFIDENTIAL</b> THE INFORMATION CONTAINED IN THIS DRAWING IS THE SOLE PROPERTY OF MIRATECH. ANY REPRODUCTION IN PART OR AS A WHOLE WITHOUT THE WRITTEN PERMISSION OF MIRATECH IS PROHIBITED.	ALL DIMENSIONS IN INCHES (MILLIMETERS) UNLESS OTHERWISE SPECIFIED.			
PROPOSAL NUMBER		CRITICAL DIMENSIONS ARE <b>CIRCLED</b>			
SALES ORDER NO.		TOLERANCES UNLESS OTHERWISE SPECIFIED		<b>MR2BT0-24PF-2-00003C50</b> SILENCER RESIDENTIAL GRADE MR22	
CUSTOMER P.O. (P.N.)		< 12 [305] ±1/8 [3] 12 [305] ≥ 36 [915] ±3/16 [5] 36 [915] ≥ 360 [9150] ±5/16 [9] > 360 [9150] ±7/16 [12] ANGULAR ±3° WEIGHT ±10%			
PROJECTION		DRAWN MA	DATE 2024-04-18	SALES DRAWING	
		REVIEWED CSF	DATE 2024-04-18	MR2BT0-24PF-2-00003C50 SD	
		SIZE A	DO NOT SCALE	SCALE 1:34	WEIGHT 1583lb/719kg
				OEM NO	REV 0
				SHEET NO. 1 OF 1	