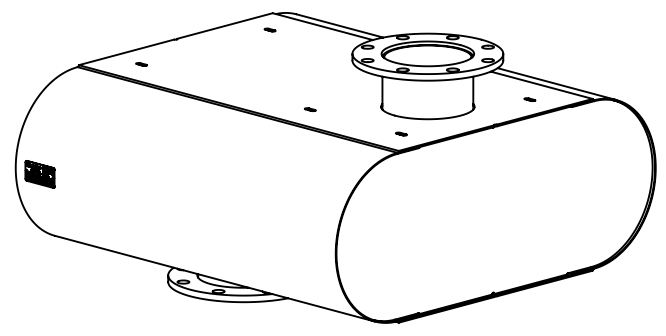
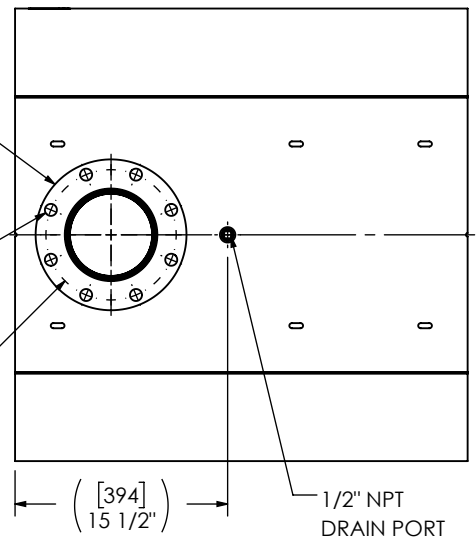


(2) 6" FF FLANGE
150 lb ANSI
STANDARD
BOLT PATTERN

([22])
 $\phi 7/8''$
TYP

([241])
 $\phi 9 1/2''$
BCD



NOTES:

- DO NOT USE EQUIPMENT TO SUPPORT OTHER PARTS OF THE EXHAUST SYSTEM WITHOUT PROPER REINFORCEMENT

MATERIAL OF CONSTRUCTION:

- CARBON STEEL

PAINT:

- HIGH TEMPERATURE BLACK (MIRATECH COATING SYSTEM 5)

PROJECT NAME	PROPRIETARY AND CONFIDENTIAL THE INFORMATION CONTAINED IN THIS DRAWING IS THE SOLE PROPERTY OF MIRATECH. ANY REPRODUCTION IN PART OR AS A WHOLE WITHOUT THE WRITTEN PERMISSION OF MIRATECH IS PROHIBITED.	ALL DIMENSIONS IN INCHES (MILLIMETERS) UNLESS OTHERWISE SPECIFIED. CRITICAL DIMENSIONS ARE CIRCLED				
PROPOSAL NUMBER		TOLERANCES UNLESS OTHERWISE SPECIFIED < 12 [305] ±1/8 [3] 12 [305] ≥ 36 [915] ±3/16 [5] 36 [915] ≥ 360 [9150] ±5/16 [9] > 360 [9150] ±7/16 [12]		MR3BT2-06PF-2-00001NK0 SILENCER CRITICAL GRADE MR32		
SALES ORDER NO.		DRAWN SVP DATE 2024-03-02 REVIEWED CSF DATE 2024-03-02		SALES DRAWING MR3BT2-06PF-2-00001NK0 SD		OEM NO REV 0
CUSTOMER P.O. [P.N.]		PROJECTION 		SIZE A	SCALE 1:14 WEIGHT 254lb/115kg	SHEET NO. 1 OF 1