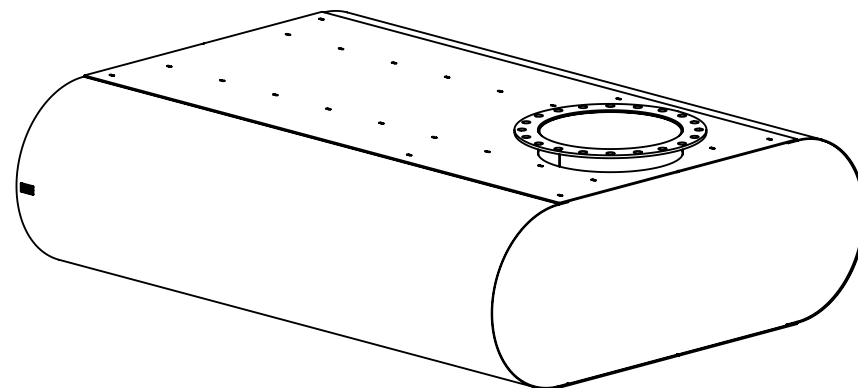
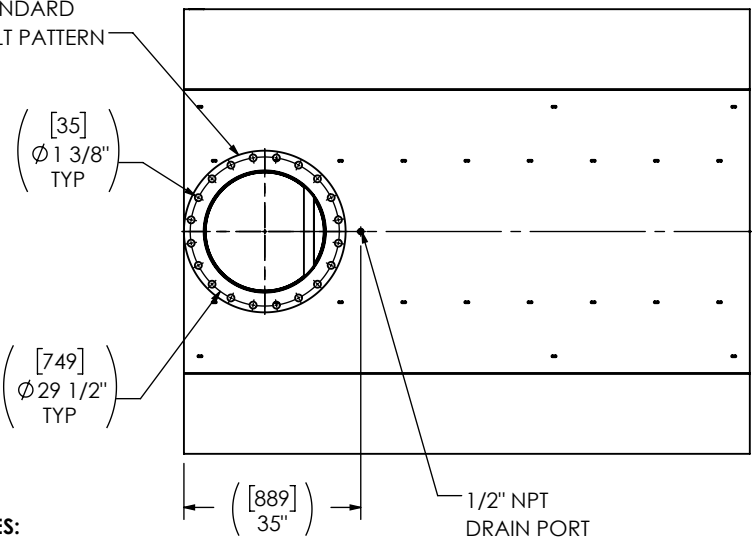


(2) 24" FF FLANGE  
150 lb ANSI  
STANDARD  
BOLT PATTERN



**NOTES:**

- DO NOT USE EQUIPMENT TO SUPPORT OTHER PARTS OF THE EXHAUST SYSTEM WITHOUT PROPER REINFORCEMENT

**MATERIAL OF CONSTRUCTION:**

- CARBON STEEL

**PAINT:**

- HIGH TEMPERATURE BLACK (MIRATECH COATING SYSTEM 5)

PROJECT NAME	<p><b>PROPRIETARY AND CONFIDENTIAL</b></p> <p>THE INFORMATION CONTAINED IN THIS DRAWING IS THE SOLE PROPERTY OF MIRATECH. ANY REPRODUCTION IN PART OR AS A WHOLE WITHOUT THE WRITTEN PERMISSION OF MIRATECH IS PROHIBITED.</p>	<p>ALL DIMENSIONS IN INCHES (MILLIMETERS) UNLESS OTHERWISE SPECIFIED.</p> <p>CRITICAL DIMENSIONS ARE CIRCLED</p>													
PROPOSAL NUMBER		<p>TOLEANCES UNLESS OTHERWISE SPECIFIED</p> <table border="1"> <tr> <td>&lt; 12 [305]</td> <td>±1/8 [3]</td> </tr> <tr> <td>12 [305] ≥ 36 [915]</td> <td>±3/16 [5]</td> </tr> <tr> <td>36 [915] ≥ 360 [9150]</td> <td>±5/16 [9]</td> </tr> <tr> <td>&gt; 360 [9150]</td> <td>±7/16 [12]</td> </tr> <tr> <td>ANGULAR</td> <td>±3°</td> </tr> <tr> <td>WEIGHT</td> <td>±10%</td> </tr> </table>				< 12 [305]	±1/8 [3]	12 [305] ≥ 36 [915]	±3/16 [5]	36 [915] ≥ 360 [9150]	±5/16 [9]	> 360 [9150]	±7/16 [12]	ANGULAR	±3°
< 12 [305]		±1/8 [3]													
12 [305] ≥ 36 [915]		±3/16 [5]													
36 [915] ≥ 360 [9150]	±5/16 [9]														
> 360 [9150]	±7/16 [12]														
ANGULAR	±3°														
WEIGHT	±10%														
SALES ORDER NO.	<p>PROJECTION</p>		<p><b>MR3BT2-24PF-2-00003TVQ</b></p> <p>SILENCER CRITICAL GRADE MR32</p>												
CUSTOMER P.O. [P.N.]	<p>DRAWN SVP DATE 2024-02-27</p> <p>REVIEWED CSF DATE 2024-02-27</p>	<p>SALES DRAWING</p> <p>MR3BT2-24PF-2-00003TVQ SD</p>	<p>OEM NO 0</p> <p>REV 0</p>												
		<p>SIZE A</p>	<p>SCALE 1:38</p>	<p>WEIGHT 3280lb/1490kg</p>	<p>SHEET NO. 1 OF 1</p>										