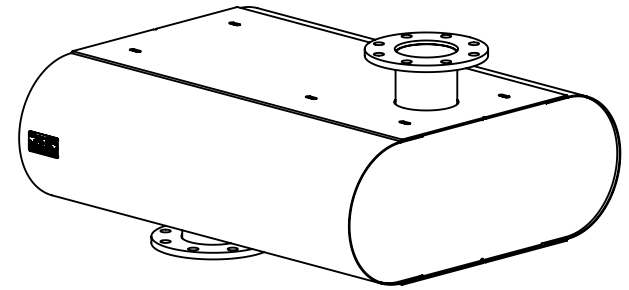
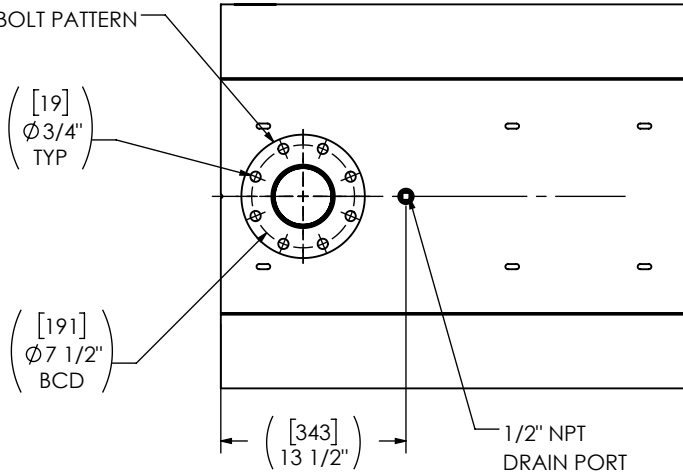


(2) 4" FF FLANGE  
150 lb ANSI  
STANDARD  
BOLT PATTERN



**NOTES:**

- DO NOT USE EQUIPMENT TO SUPPORT OTHER PARTS OF THE EXHAUST SYSTEM WITHOUT PROPER REINFORCEMENT

**MATERIAL OF CONSTRUCTION:**

- CARBON STEEL

**PAINT:**

- HIGH TEMPERATURE BLACK (MIRATECH COATING SYSTEM 5)

PROJECT NAME	<b>PROPRIETARY AND CONFIDENTIAL</b> THE INFORMATION CONTAINED IN THIS DRAWING IS THE SOLE PROPERTY OF MIRATECH. ANY REPRODUCTION IN PART OR AS A WHOLE WITHOUT THE WRITTEN PERMISSION OF MIRATECH IS PROHIBITED.	ALL DIMENSIONS IN INCHES (MILLIMETERS) UNLESS OTHERWISE SPECIFIED. CRITICAL DIMENSIONS ARE <b>CIRCLED</b>			
PROPOSAL NUMBER		TOLERANCES UNLESS OTHERWISE SPECIFIED < 12 [305] ±1/8 [3] 12 [305] ≥ 36 [915] ±3/16 [5] 36 [915] ≥ 360 [9150] ±5/16 [9] > 360 [9150] ±7/16 [12]			
SALES ORDER NO.		ANGLULAR WEIGHT ±3% ±10%		<b>MR4BT2-04PF-2-00001F75</b> SILENCER SUPER CRITICAL GRADE MR4	
CUSTOMER P.O. [P.N.]		PROJECTION 		SALES DRAWING MR4BT2-04PF-2-00001F75 SD	
		DRAWN SAG DATE 2024-02-27 REVIEWED CSF DATE 2024-02-27	SIZE A DO NOT SCALE	SCALE 1:14 WEIGHT 211lb/95kg	OEM NO 0 REV 0 SHEET NO. 1 OF 1