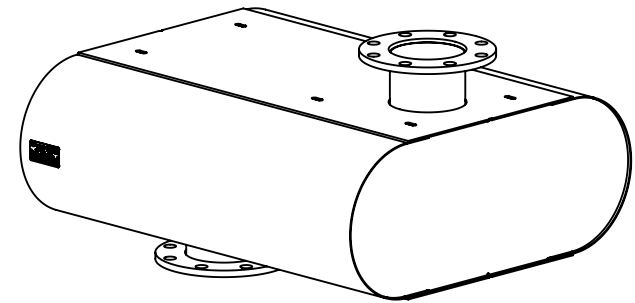
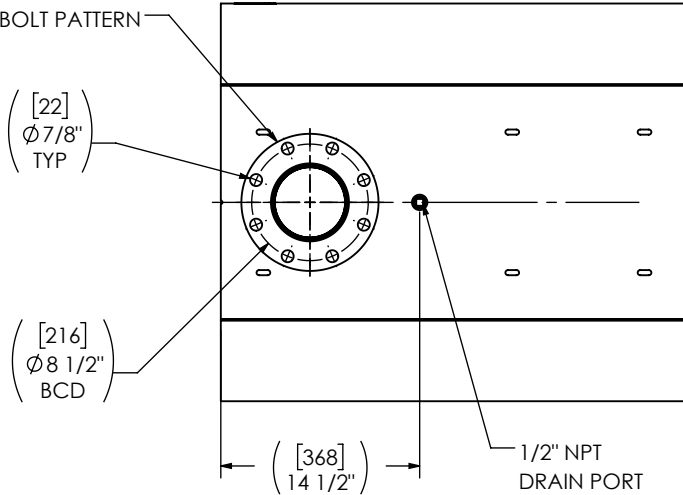


(2) 5" FF FLANGE
150 lb ANSI
STANDARD
BOLT PATTERN



NOTES:

- DO NOT USE EQUIPMENT TO SUPPORT OTHER PARTS OF THE EXHAUST SYSTEM WITHOUT PROPER REINFORCEMENT

MATERIAL OF CONSTRUCTION:

- CARBON STEEL

PAINT:

- HIGH TEMPERATURE BLACK (MIRATECH COATING SYSTEM 5)

PROJECT NAME	PROPRIETARY AND CONFIDENTIAL THE INFORMATION CONTAINED IN THIS DRAWING IS THE SOLE PROPERTY OF MIRATECH. ANY REPRODUCTION IN PART OR AS A WHOLE WITHOUT THE WRITTEN PERMISSION OF MIRATECH IS PROHIBITED.	ALL DIMENSIONS IN INCHES (MILLIMETERS) UNLESS OTHERWISE SPECIFIED.												
PROPOSAL NUMBER		CRITICAL DIMENSIONS ARE CIRCLED												
SALES ORDER NO.		TOLERANCES UNLESS OTHERWISE SPECIFIED		MR4BT2-05PF-2-00001JDK SILENCER SUPER CRITICAL GRADE MR4										
CUSTOMER P.O. (P.N.)		<table border="1"> <tr> <td>< 12 [305]</td> <td>±1/8 [3]</td> </tr> <tr> <td>12 [305] ≥ 36 [915]</td> <td>±3/16 [5]</td> </tr> <tr> <td>36 [915] ≥ 360 [9150]</td> <td>±5/16 [9]</td> </tr> <tr> <td>> 360 [9150]</td> <td>±7/16 [12]</td> </tr> <tr> <td>ANGULAR</td> <td>±3°</td> </tr> <tr> <td>WEIGHT</td> <td>±10%</td> </tr> </table>				< 12 [305]	±1/8 [3]	12 [305] ≥ 36 [915]	±3/16 [5]	36 [915] ≥ 360 [9150]	±5/16 [9]	> 360 [9150]	±7/16 [12]	ANGULAR
< 12 [305]	±1/8 [3]													
12 [305] ≥ 36 [915]	±3/16 [5]													
36 [915] ≥ 360 [9150]	±5/16 [9]													
> 360 [9150]	±7/16 [12]													
ANGULAR	±3°													
WEIGHT	±10%													
PROJECTION		PROJECTION	SALES DRAWING		OEM									
			MR4BT2-05PF-2-00001JDK SD		NO									
DRAWN SAG		DATE 2024-02-27	SIZE A	DO NOT SCALE	REV 0									
REVIEWED CSF		DATE 2024-02-27	SCALE 1:14	WEIGHT 226lb/102kg	SHEET NO. 1 OF 1									