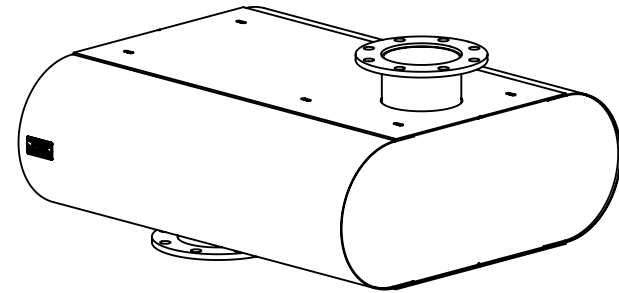
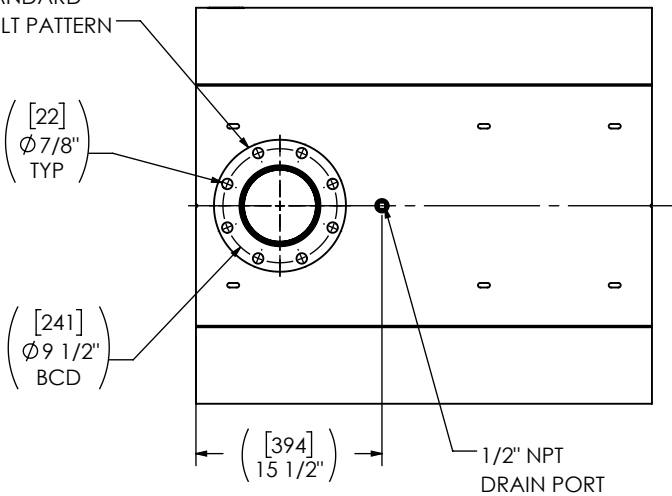


(2) 6" FF FLANGE
150 lb ANSI
STANDARD
BOLT PATTERN



NOTES:

- DO NOT USE EQUIPMENT TO SUPPORT OTHER PARTS OF THE EXHAUST SYSTEM WITHOUT PROPER REINFORCEMENT

MATERIAL OF CONSTRUCTION:

- CARBON STEEL

PAINT:

- HIGH TEMPERATURE BLACK (MIRATECH COATING SYSTEM 5)

PROJECT NAME	PROPRIETARY AND CONFIDENTIAL THE INFORMATION CONTAINED IN THIS DRAWING IS THE SOLE PROPERTY OF MIRATECH. ANY REPRODUCTION IN PART OR AS A WHOLE WITHOUT THE WRITTEN PERMISSION OF MIRATECH IS PROHIBITED.	ALL DIMENSIONS IN INCHES (MILLIMETERS) UNLESS OTHERWISE SPECIFIED.					
PROPOSAL NUMBER		CRITICAL DIMENSIONS ARE CIRCLED					
SALES ORDER NO.		TOLERANCES UNLESS OTHERWISE SPECIFIED		MR4BT2-06PF-2-00001NK0 SILENCER SUPER CRITICAL GRADE MR4			
CUSTOMER P.O. [P.N.]		< 12 [305]	$\pm 1/8$ [3]				
		12 [305] \geq 36 [915]	$\pm 3/16$ [5]	SALES DRAWING		OEM	REV
		36 [915] \geq 360 [9150]	$\pm 5/16$ [9]	MR4BT2-06PF-2-00001NK0 SD		NO	0
		> 360 [9150]	$\pm 7/16$ [12]	SCALE		SHEET NO.	
	PROJECTION	ANGULAR	$\pm 3^\circ$	DO NOT SCALE		1 OF 1	
		WEIGHT	$\pm 10\%$	SCALE	1:16	WEIGHT	294lb/133kg
				SIZE	A		
		DRAWN	SAG	DATE	2024-03-04		
		REVIEWED	CSF	DATE	2024-03-04		