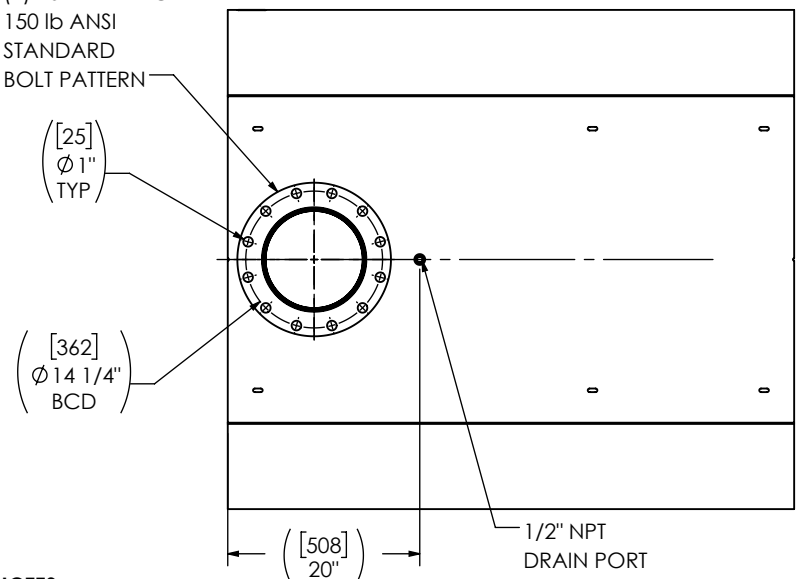


(2) 10" FF FLANGE
150 lb ANSI
STANDARD
BOLT PATTERN



1/2" NPT
DRAIN PORT

- NOTES:**
- DO NOT USE EQUIPMENT TO SUPPORT OTHER PARTS OF THE EXHAUST SYSTEM WITHOUT PROPER REINFORCEMENT
- MATERIAL OF CONSTRUCTION:**
- CARBON STEEL
- PAINT:**
- HIGH TEMPERATURE BLACK (MIRATECH COATING SYSTEM 5)

PROJECT NAME	PROPRIETARY AND CONFIDENTIAL THE INFORMATION CONTAINED IN THIS DRAWING IS THE SOLE PROPERTY OF MIRATECH. ANY REPRODUCTION IN PART OR AS A WHOLE WITHOUT THE WRITTEN PERMISSION OF MIRATECH IS PROHIBITED.	ALL DIMENSIONS IN INCHES (MILLIMETERS) UNLESS OTHERWISE SPECIFIED. CRITICAL DIMENSIONS ARE CIRCLED				
PROPOSAL NUMBER		TOLERANCES UNLESS OTHERWISE SPECIFIED < 12 [305] ±1/8 [3] 12 [305] ≥ 36 [915] ±3/16 [5] 36 [915] ≥ 360 [9150] ±5/16 [9] > 360 [9150] ±7/16 [12] ANGULAR ±3° WEIGHT ±10%		MR4BT2-10PF-2-000025AQ SILENCER SUPER CRITICAL GRADE MR4		
SALES ORDER NO.		DRAWN SAG DATE 2024-03-05 REVIEWED CSF DATE 2024-03-05		SALES DRAWING MR4BT2-10PF-2-000025AQ SD		OEM NO REV 0
CUSTOMER P.O. [P.N.]		PROJECTION 		SIZE A DO NOT SCALE	SCALE 1:20 WEIGHT 800lb/363kg	SHEET NO. 1 OF 1