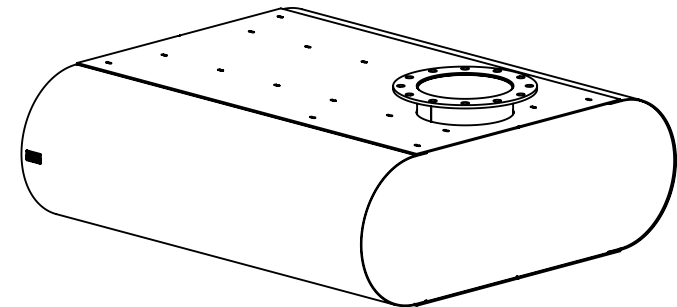
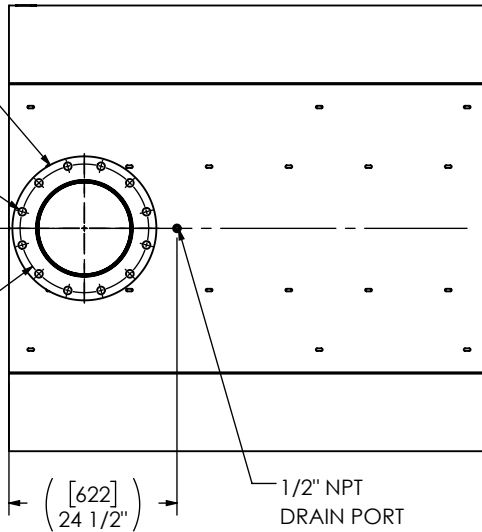


(2) 14" FF FLANGE  
150 lb ANSI  
STANDARD  
BOLT PATTERN

( [29] )  
Ø 1 1/8"  
TYP

( [476] )  
Ø 18 3/4"  
TYP



**NOTES:**

- DO NOT USE EQUIPMENT TO SUPPORT OTHER PARTS OF THE EXHAUST SYSTEM WITHOUT PROPER REINFORCEMENT

**MATERIAL OF CONSTRUCTION:**

- CARBON STEEL

**PAINT:**

- HIGH TEMPERATURE BLACK (MIRATECH COATING SYSTEM 5)

PROJECT NAME	<b>PROPRIETARY AND CONFIDENTIAL</b> THE INFORMATION CONTAINED IN THIS DRAWING IS THE SOLE PROPERTY OF MIRATECH. ANY REPRODUCTION IN PART OR AS A WHOLE WITHOUT THE WRITTEN PERMISSION OF MIRATECH IS PROHIBITED.	ALL DIMENSIONS IN INCHES (MILLIMETERS) UNLESS OTHERWISE SPECIFIED. CRITICAL DIMENSIONS ARE <b>CIRCLED</b>			
PROPOSAL NUMBER		TOLERANCES UNLESS OTHERWISE SPECIFIED < 12 [305] ±1/8 [3] 12 [305] ≥ 36 [915] ±3/16 [5] 36 [915] ≥ 360 [9150] ±5/16 [9] > 360 [9150] ±7/16 [12]		<b>MR4BT2-14PF-2-00002M1F</b> SILENCER SUPER CRITICAL GRADE MR4	
SALES ORDER NO.		ANGLULAR WEIGHT ±3° ±10%		SALES DRAWING MR4BT2-14PF-2-00002M1F SD	
CUSTOMER P.O. [P.N.]		PROJECTION 		DRAWN SAG DATE 2024-02-28 REVIEWED CSF DATE 2024-02-28	OEM NO <b>0</b> SHEET NO. 1 OF 1
			SIZE A DO NOT SCALE	SCALE 1:28 WEIGHT 1529lb/695kg	