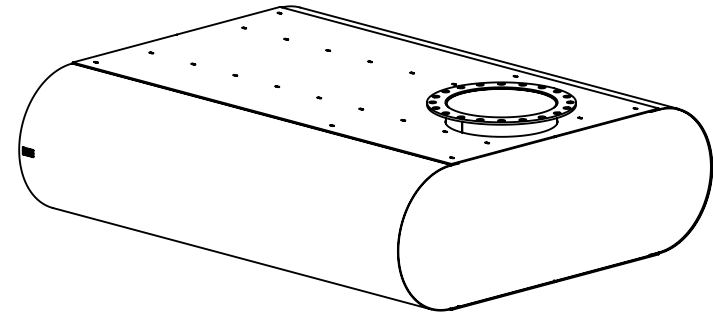
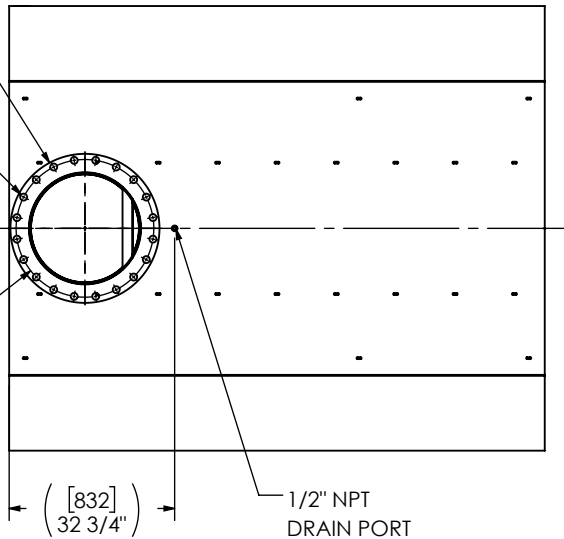


(2) 22" FF FLANGE
150 lb ANSI
STANDARD
BOLT PATTERN

([35])
 $\Phi 1\ 3/8''$
TYP

([692])
 $\Phi 27\ 1/4''$
BCD



NOTES:

- DO NOT USE EQUIPMENT TO SUPPORT OTHER PARTS OF THE EXHAUST SYSTEM WITHOUT PROPER REINFORCEMENT

MATERIAL OF CONSTRUCTION:

- CARBON STEEL

PAINT:

- HIGH TEMPERATURE BLACK (MIRATECH COATING SYSTEM 5)

PROJECT NAME	PROPRIETARY AND CONFIDENTIAL THE INFORMATION CONTAINED IN THIS DRAWING IS THE SOLE PROPERTY OF MIRATECH. ANY REPRODUCTION IN PART OR AS A WHOLE WITHOUT THE WRITTEN PERMISSION OF MIRATECH IS PROHIBITED.	ALL DIMENSIONS IN INCHES (MILLIMETERS) UNLESS OTHERWISE SPECIFIED.			
PROPOSAL NUMBER		CRITICAL DIMENSIONS ARE CIRCLED			
SALES ORDER NO.		TOLERANCES UNLESS OTHERWISE SPECIFIED		MR4BT2-22PF-2-00003KHV SILENCER SUPER CRITICAL GRADE MR4	
CUSTOMER P.O. (P.N.)		< 12 [305]	$\pm 1/8$ [3]		
		12 [305] \geq 36 [915]	$\pm 3/16$ [5]	SALES DRAWING	
		36 [915] \geq 360 [9150]	$\pm 5/16$ [9]	MR4BT2-22PF-2-00003KHV SD	
		> 360 [9150]	$\pm 7/16$ [12]	SCALE	WEIGHT
	PROJECTION	ANGULAR	$\pm 3^\circ$	DO NOT SCALE	1:38
		WEIGHT	$\pm 10\%$	1:38	3222lb/1464kg
				SHEET NO.	1 OF 1
				REV	0