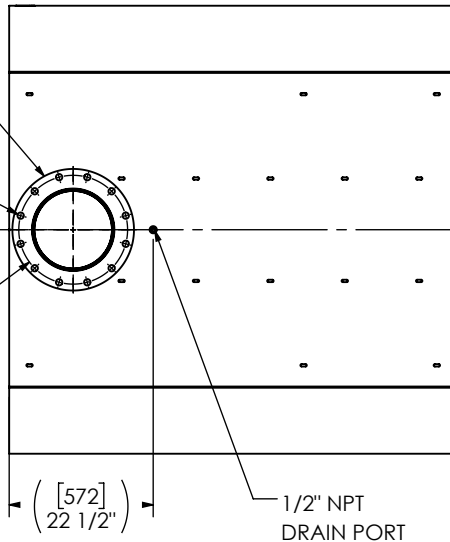


(2) 12" FF FLANGE
150 lb ANSI
STANDARD
BOLT PATTERN

($\frac{[25]}{\text{TYP}}$)
 $\text{\textcircled{O}} 1"$

($\frac{[432]}{\text{BCD}}$)
 $\text{\textcircled{O}} 17"$



1/2" NPT
DRAIN PORT

NOTES:

- DO NOT USE EQUIPMENT TO SUPPORT OTHER PARTS OF THE EXHAUST SYSTEM WITHOUT PROPER REINFORCEMENT

MATERIAL OF CONSTRUCTION:

- CARBON STEEL

PAINT:

- HIGH TEMPERATURE BLACK (MIRATECH COATING SYSTEM 5)

PROJECT NAME	PROPRIETARY AND CONFIDENTIAL THE INFORMATION CONTAINED IN THIS DRAWING IS THE SOLE PROPERTY OF MIRATECH. ANY REPRODUCTION IN PART OR AS A WHOLE WITHOUT THE WRITTEN PERMISSION OF MIRATECH IS PROHIBITED.	ALL DIMENSIONS IN INCHES (MILLIMETERS) UNLESS OTHERWISE SPECIFIED.					
PROPOSAL NUMBER		CRITICAL DIMENSIONS ARE <u>CIRCLED</u>					
SALES ORDER NO.		TOLERANCES UNLESS OTHERWISE SPECIFIED		MR5BT2-12PF-2-00002DNK SILENCER HOSPITAL GRADE MR42			
CUSTOMER P.O. [P.N.]		< 12 [305]	$\pm 1/8$ [3]				
		12 [305] \geq 36 [915]	$\pm 3/16$ [5]	SALES DRAWING		OEM	REV
		36 [915] \geq 360 [9150]	$\pm 5/16$ [9]	MR5BT2-12PF-2-00002DNK SD		NO	0
		> 360 [9150]	$\pm 7/16$ [12]	SCALE		WEIGHT	SHEET NO.
	PROJECTION	ANGULAR	$\pm 3^\circ$	DO NOT SCALE		1:30	1 OF 1
		WEIGHT	$\pm 10\%$	SCALE		WEIGHT	SHEET NO.
				DO NOT SCALE		1:30	1 OF 1
				DO NOT SCALE		1:30	1 OF 1
				DO NOT SCALE		1:30	1 OF 1