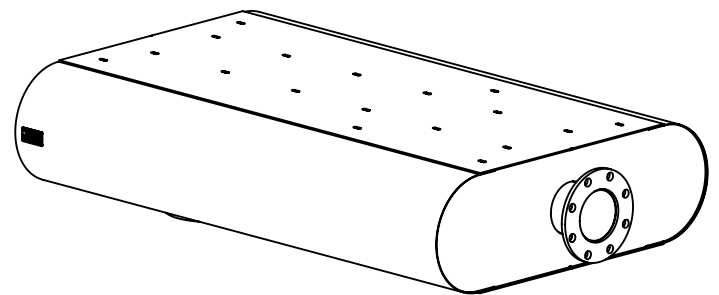
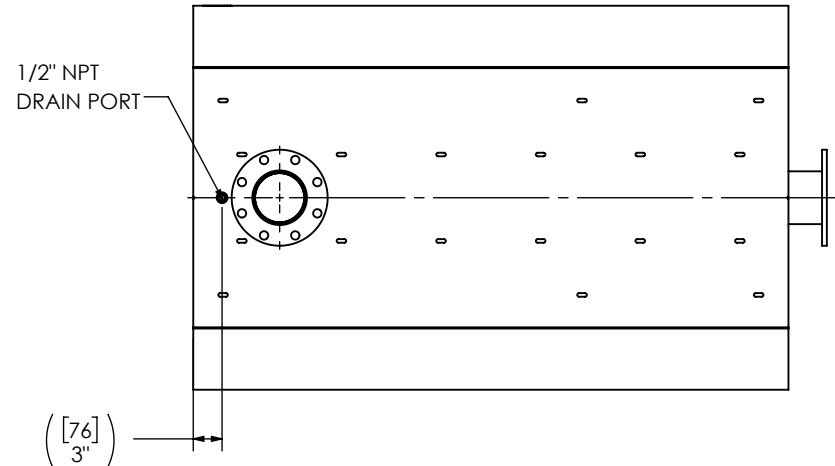


1/2" NPT DRAIN PORT



- NOTES:**
- DO NOT USE EQUIPMENT TO SUPPORT OTHER PARTS OF THE EXHAUST SYSTEM WITHOUT PROPER REINFORCEMENT
- MATERIAL CONSTRUCTION:**
- CARBON STEEL
- PAINT:**
- HIGH TEMPERATURE BLACK (MIRATECH COATING SYSTEM 5)

PROJECT NAME	
PROPOSAL NUMBER	
SALES ORDER NO.	
CUSTOMER P.O. [P.N.]	

**PROPRIETARY AND CONFIDENTIAL**

THE INFORMATION CONTAINED IN THIS DRAWING IS THE SOLE PROPERTY OF MIRATECH. ANY REPRODUCTION IN PART OR AS A WHOLE WITHOUT THE WRITTEN PERMISSION OF MIRATECH IS PROHIBITED.

PROJECTION

ALL DIMENSIONS IN INCHES (MILLIMETERS) UNLESS OTHERWISE SPECIFIED.	
CRITICAL DIMENSIONS ARE CIRCLED	
TOLERANCES UNLESS OTHERWISE SPECIFIED	
< 12 [305]	±1/8 [3]
12 [305] ≥ 36 [915]	±3/16 [5]
36 [915] ≥ 360 [9150]	±5/16 [9]
> 360 [9150]	±7/16 [12]
ANGULAR	±3°
WEIGHT	±10%
DRAWN	SAG
DATE	2024-02-08
REVIEWED	CSF
DATE	2024-02-08

**MR7BE2-05PF-2-000025AQ**  
SILENCER EXTREME GRADE MR62

SALES DRAWING  
MR7BE2-05PF-2-000025AQ SD

SIZE	A	SCALE	DO NOT SCALE	WEIGHT	530lb/240kg
OEM NO		REV	0	SHEET NO.	1 OF 1