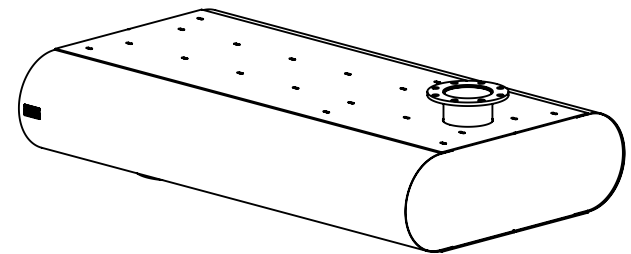
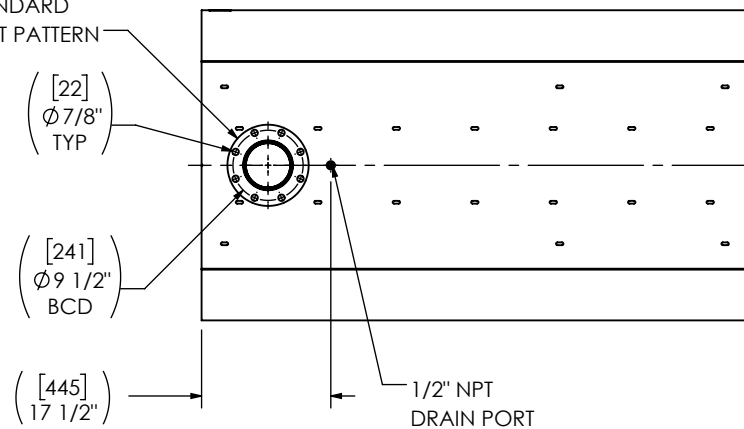


(2) 6" FF FLANGE  
150 lb ANSI  
STANDARD  
BOLT PATTERN



**NOTES:**

- DO NOT USE EQUIPMENT TO SUPPORT OTHER PARTS OF THE EXHAUST SYSTEM WITHOUT PROPER REINFORCEMENT

**MATERIAL OF CONSTRUCTION:**

- CARBON STEEL

**PAINT:**

- HIGH TEMPERATURE BLACK (MIRATECH COATING SYSTEM 5)

PROJECT NAME	<b>PROPRIETARY AND CONFIDENTIAL</b> THE INFORMATION CONTAINED IN THIS DRAWING IS THE SOLE PROPERTY OF MIRATECH. ANY REPRODUCTION IN PART OR AS A WHOLE WITHOUT THE WRITTEN PERMISSION OF MIRATECH IS PROHIBITED.	ALL DIMENSIONS IN INCHES (MILLIMETERS) UNLESS OTHERWISE SPECIFIED. CRITICAL DIMENSIONS ARE <b>CIRCLED</b>				
PROPOSAL NUMBER		TOLERANCES UNLESS OTHERWISE SPECIFIED < 12 [305] ±1/8 [3] 12 [305] ≥ 36 [915] ±3/16 [5] 36 [915] ≥ 360 [9150] ±5/16 [9] > 360 [9150] ±7/16 [12] ANGULAR ±3° WEIGHT ±10%				<b>MR7BT2-06PF-2-000025AQ</b> SILENCER EXTREME GRADE MR62
SALES ORDER NO.		PROJECTION 		SALES DRAWING MR7BT2-06PF-2-000025AQ SD		OEM NO <b>0</b>
CUSTOMER P.O. [P.N.]		DRAWN SVP REVIEWED CSF	DATE 2024-03-05 DATE 2024-03-05	SIZE A DO NOT SCALE	SCALE 1:26 WEIGHT 663lb/301kg	SHEET NO. 1 OF 1