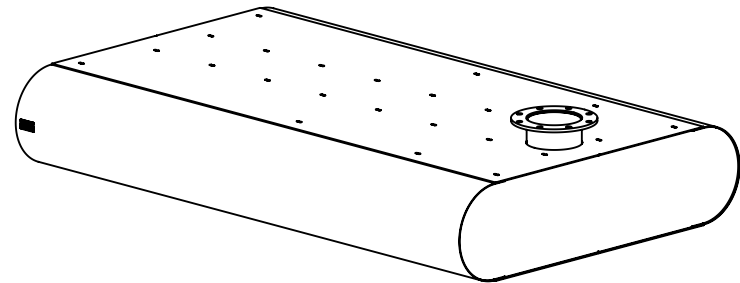
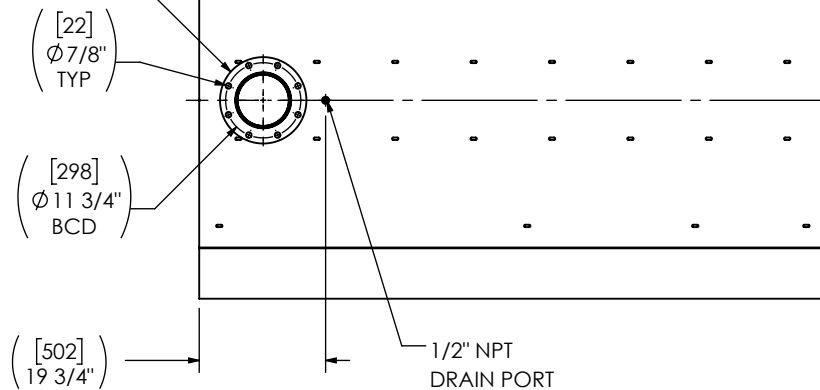


(2) 8" FF FLANGE
150 lb ANSI
STANDARD
BOLT PATTERN



NOTES:

- DO NOT USE EQUIPMENT TO SUPPORT OTHER PARTS OF THE EXHAUST SYSTEM WITHOUT PROPER REINFORCEMENT

MATERIAL OF CONSTRUCTION:

- CARBON STEEL

PAINT:

- HIGH TEMPERATURE BLACK (MIRATECH COATING SYSTEM 5)

PROJECT NAME	PROPRIETARY AND CONFIDENTIAL THE INFORMATION CONTAINED IN THIS DRAWING IS THE SOLE PROPERTY OF MIRATECH. ANY REPRODUCTION IN PART OR AS A WHOLE WITHOUT THE WRITTEN PERMISSION OF MIRATECH IS PROHIBITED.	ALL DIMENSIONS IN INCHES (MILLIMETERS) UNLESS OTHERWISE SPECIFIED.			
PROPOSAL NUMBER		CRITICAL DIMENSIONS ARE CIRCLED			
SALES ORDER NO.		TOLERANCES UNLESS OTHERWISE SPECIFIED		MR7BT2-08PF-2-00002DNK SILENCER EXTREME GRADE MR62	
CUSTOMER P.O. [P.N.]		< 12 [305]	$\pm 1/8$ [3]		
		12 [305] \geq 36 [915]	$\pm 3/16$ [5]	MR7BT2-08PF-2-00002DNK SD	
		36 [915] \geq 360 [9150]	$\pm 5/16$ [9]	SCALE	WEIGHT
		> 360 [9150]	$\pm 7/16$ [12]	DO NOT SCALE	1:30
		ANGULAR	$\pm 3^\circ$	1444lb/656kg	
		WEIGHT	$\pm 10\%$		
	PROJECTION	DRAWN	DATE	SIZE	OEM
		SVP	2024-03-05	A	NO
		REVIEWED	DATE		REV
		CSF	2024-03-05		0
					SHEET NO.
					1 OF 1