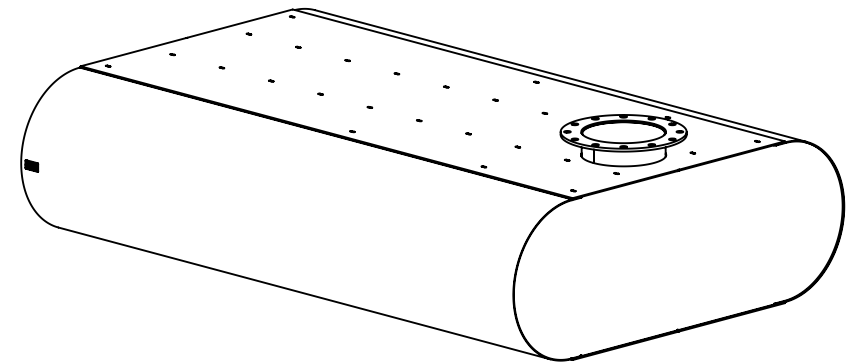
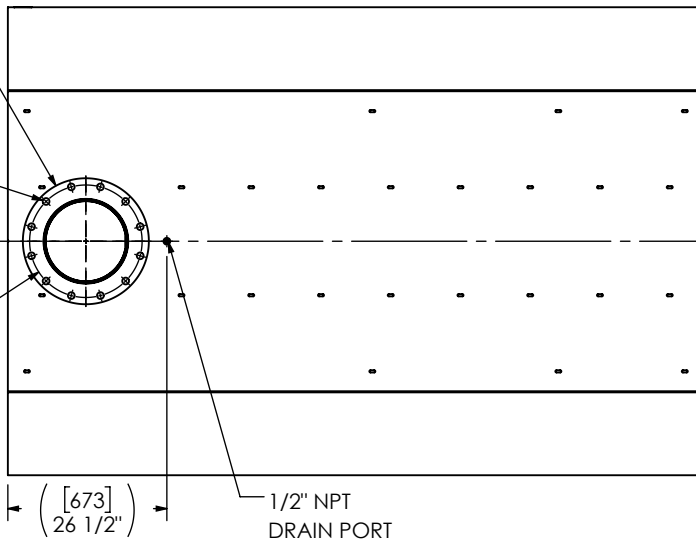


(2) 14" FF FLANGE
150 lb ANSI
STANDARD
BOLT PATTERN

([29])
Ø 1 1/8"
TYP

([476])
Ø 18 3/4"
BCD



NOTES:

- DO NOT USE EQUIPMENT TO SUPPORT OTHER PARTS OF THE EXHAUST SYSTEM WITHOUT PROPER REINFORCEMENT

MATERIAL OF CONSTRUCTION:

- CARBON STEEL

PAINT:

- HIGH TEMPERATURE BLACK (MIRATECH COATING SYSTEM 5)

PROJECT NAME	PROPRIETARY AND CONFIDENTIAL THE INFORMATION CONTAINED IN THIS DRAWING IS THE SOLE PROPERTY OF MIRATECH. ANY REPRODUCTION IN PART OR AS A WHOLE WITHOUT THE WRITTEN PERMISSION OF MIRATECH IS PROHIBITED.	ALL DIMENSIONS IN INCHES (MILLIMETERS) UNLESS OTHERWISE SPECIFIED.			
PROPOSAL NUMBER		CRITICAL DIMENSIONS ARE CIRCLED			
SALES ORDER NO.		TOLERANCES UNLESS OTHERWISE SPECIFIED		MR7BT2-14PF-2-000033S5 SILENCER EXTREME GRADE MR62	
CUSTOMER P.O. (P.N.)		< 12 [305]	±1/8 [3]		
	12 [305] ≥ 36 [915]	±3/16 [5]	SALES DRAWING		OEM NO
	36 [915] ≥ 360 [9150]	±5/16 [9]	MR7BT2-14PF-2-000033S5 SD		REV 0
	> 360 [9150]	±7/16 [12]	SCALE		SHEET NO.
	ANGULAR ±3°	±10%	1:32		1 OF 1
	WEIGHT		SIZE A	DO NOT SCALE	WEIGHT 3023lb/1374kg
	PROJECTION				
		DRAWN SVP	DATE 2024-02-29		
		REVIEWED CSF	DATE 2024-02-29		