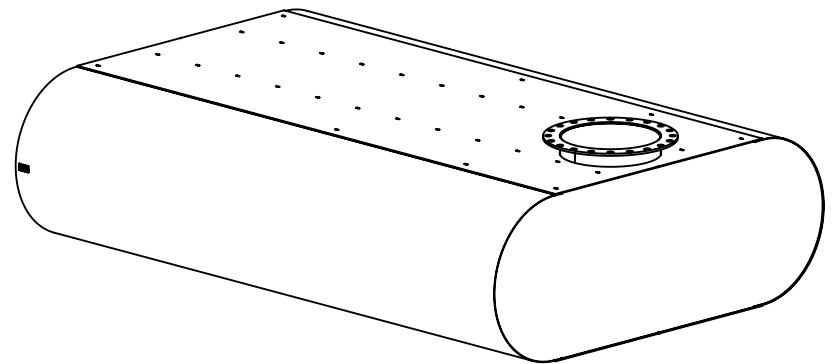
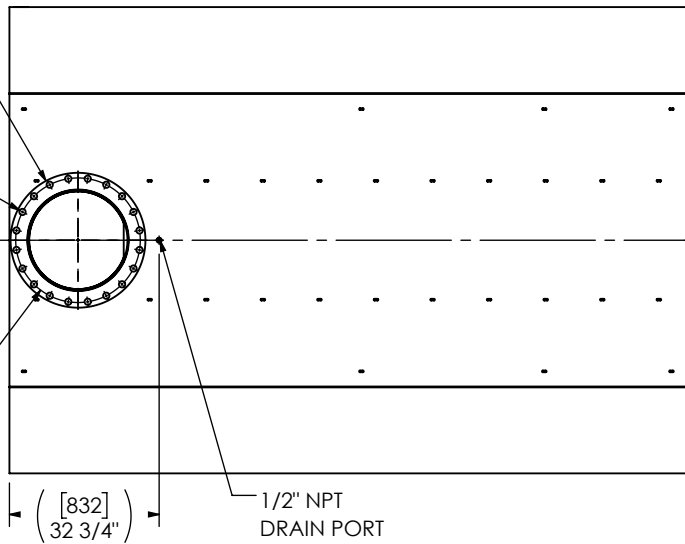


(2) 22" FF FLANGE  
150 lb ANSI  
STANDARD  
BOLT PATTERN

( [35] )  
Ø 1 3/8"  
TYP

( [692] )  
Ø 27 1/4"  
BCD



**NOTES:**

- DO NOT USE EQUIPMENT TO SUPPORT OTHER PARTS OF THE EXHAUST SYSTEM WITHOUT PROPER REINFORCEMENT

**MATERIAL OF CONSTRUCTION:**

- CARBON STEEL

**PAINT:**

- HIGH TEMPERATURE BLACK (MIRATECH COATING SYSTEM 5)

PROJECT NAME	<b>PROPRIETARY AND CONFIDENTIAL</b> THE INFORMATION CONTAINED IN THIS DRAWING IS THE SOLE PROPERTY OF MIRATECH. ANY REPRODUCTION IN PART OR AS A WHOLE WITHOUT THE WRITTEN PERMISSION OF MIRATECH IS PROHIBITED.	ALL DIMENSIONS IN INCHES (MILLIMETERS) UNLESS OTHERWISE SPECIFIED.			
PROPOSAL NUMBER		CRITICAL DIMENSIONS ARE <b>CIRCLED</b>			
SALES ORDER NO.		TOLERANCES UNLESS OTHERWISE SPECIFIED < 12 [305] ±1/8 [3] 12 [305] ≥ 36 [915] ±3/16 [5] 36 [915] ≥ 360 [9150] ±5/16 [9] > 360 [9150] ±7/16 [12]		<b>MR7BT2-22PF-2-00003KHV</b> SILENCER EXTREME GRADE MR62	
CUSTOMER P.O. [P.N.]		ANGLAR WEIGHT ±3° ±10%		SALES DRAWING MR7BT2-22PF-2-00003KHV SD	
DRAWN SVP DATE 2024-02-29		PROJECTION 		SIZE A	SHEET NO. 1 OF 1
REVIEWED CSF DATE 2024-02-29		DO NOT SCALE		SCALE 1:42	WEIGHT 5579lb/2535kg