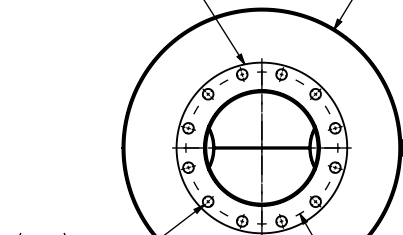


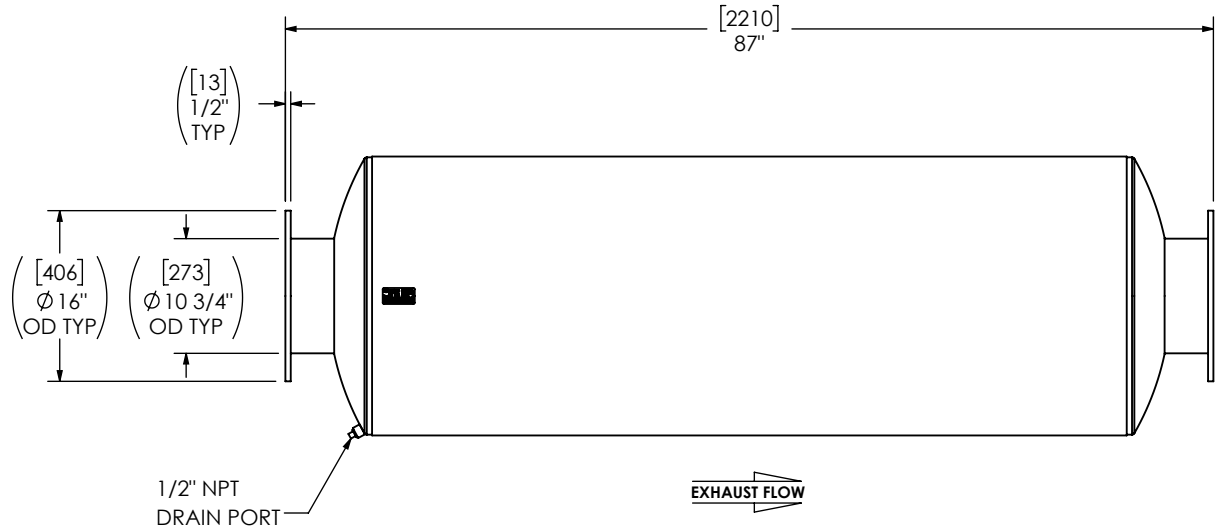
(2) 10" FF FLANGE
150 lb ANSI
STANDARD
BOLT PATTERN

[660]
Ø 26"
NOM DIA



[25]
Ø 1"
TYP

[362]
Ø 14 1/4"
BCD



NOTES:

- DO NOT USE EQUIPMENT TO SUPPORT OTHER PARTS OF THE EXHAUST SYSTEM WITHOUT PROPER REINFORCEMENT

MATERIAL CONSTRUCTION:

- CARBON STEEL

PAINT:

- HIGH TEMPERATURE BLACK (MIRATECH COATING SYSTEM 5)

PROJECT NAME	PROPRIETARY AND CONFIDENTIAL THE INFORMATION CONTAINED IN THIS DRAWING IS THE SOLE PROPERTY OF MIRATECH. ANY REPRODUCTION IN PART OR AS A WHOLE WITHOUT THE WRITTEN PERMISSION OF MIRATECH IS PROHIBITED.	ALL DIMENSIONS IN INCHES (MILLIMETERS) UNLESS OTHERWISE SPECIFIED. CRITICAL DIMENSIONS ARE CIRCLED			
PROPOSAL NUMBER		TOLERANCES UNLESS OTHERWISE SPECIFIED < 12 [305] ±1/8 [3] 12 [305] ≥ 36 [915] ±3/16 [5] 36 [915] ≥ 360 [9150] ±5/16 [9] > 360 [9150] ±7/16 [12] ANGULAR ±3° WEIGHT ±10%			
SALES ORDER NO.		PROJECTION 		M3EE0-10PF-2-00000000 SILENCER CRITICAL GRADE M32	
CUSTOMER P.O. [P.N.]		DRAWN MA DATE 2023-12-02 REVIEWED CSF DATE 2023-12-02	SALES DRAWING M3EE0-10PF-2-00000000 SD	OEM NO 0 SHEET NO. 1 OF 1	
		SIZE A	DO NOT SCALE	SCALE 1:18	WEIGHT 295lb/134kg