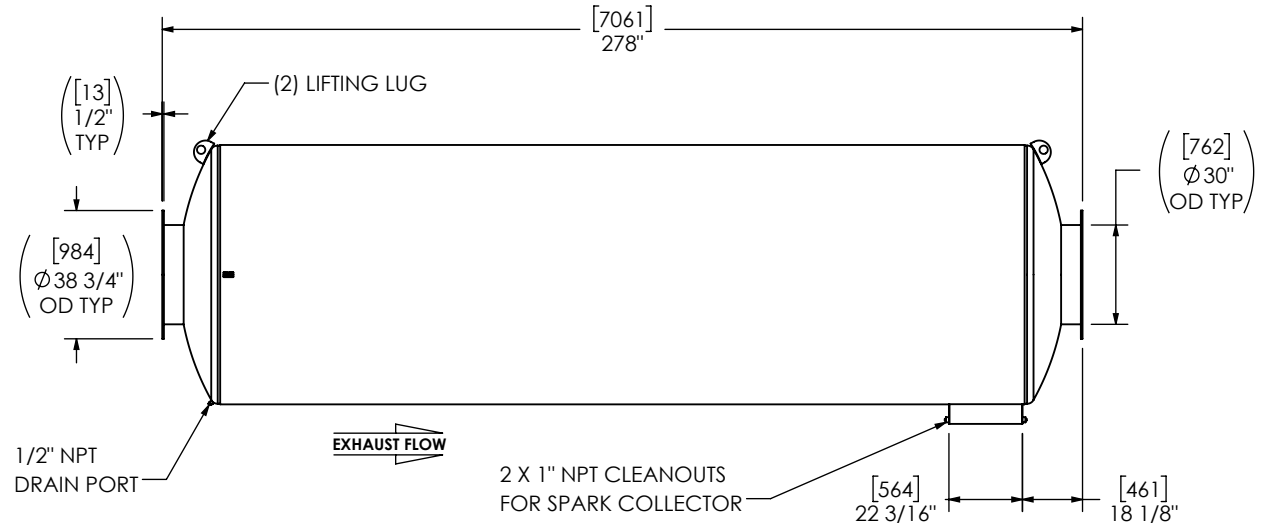
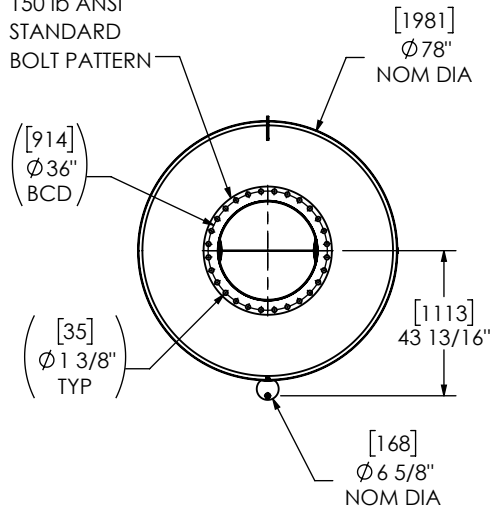


(2) 30" FF FLANGE  
150 lb ANSI  
STANDARD  
BOLT PATTERN



**NOTES:**

- DO NOT USE EQUIPMENT TO SUPPORT OTHER PARTS OF THE EXHAUST SYSTEM WITHOUT PROPER REINFORCEMENT

**MATERIAL CONSTRUCTION:**

- CARBON STEEL

**PAINT:**

- HIGH TEMPERATURE BLACK (MIRATECH COATING SYSTEM 5)

PROJECT NAME	<p><b>PROPRIETARY AND CONFIDENTIAL</b></p> <p>THE INFORMATION CONTAINED IN THIS DRAWING IS THE SOLE PROPERTY OF MIRATECH. ANY REPRODUCTION IN PART OR AS A WHOLE WITHOUT THE WRITTEN PERMISSION OF MIRATECH IS PROHIBITED.</p>	ALL DIMENSIONS IN INCHES (MILLIMETERS) UNLESS OTHERWISE SPECIFIED.												
PROPOSAL NUMBER		CRITICAL DIMENSIONS ARE <b>CIRCLED</b>												
SALES ORDER NO.		<p>TOLERANCES UNLESS OTHERWISE SPECIFIED</p> <table border="1"> <tr> <td>&lt; 12 [305]</td> <td>±1/8 [3]</td> </tr> <tr> <td>12 [305] ≥ 36 [915]</td> <td>±3/16 [5]</td> </tr> <tr> <td>36 [915] ≥ 360 [9150]</td> <td>±5/16 [9]</td> </tr> <tr> <td>&gt; 360 [9150]</td> <td>±7/16 [12]</td> </tr> </table> <p>ANGULAR ±3° WEIGHT ±10%</p>	< 12 [305]	±1/8 [3]	12 [305] ≥ 36 [915]	±3/16 [5]	36 [915] ≥ 360 [9150]	±5/16 [9]	> 360 [9150]	±7/16 [12]	<p><b>MSA6EE0-30PF-2-00000000</b></p> <p>SILENCER SUPER HOSPITAL GRADE SPARK ARRESTOR MSA55</p>			
< 12 [305]		±1/8 [3]												
12 [305] ≥ 36 [915]	±3/16 [5]													
36 [915] ≥ 360 [9150]	±5/16 [9]													
> 360 [9150]	±7/16 [12]													
CUSTOMER P.O. [P.N.]	<p>PROJECTION</p>	<table border="1"> <tr> <td>DRAWN</td> <td>MA</td> <td>DATE</td> <td>2024-06-20</td> </tr> <tr> <td>REVIEWED</td> <td>CSF</td> <td>DATE</td> <td>2024-06-20</td> </tr> </table>	DRAWN	MA	DATE	2024-06-20	REVIEWED	CSF	DATE	2024-06-20	<p>SALES DRAWING</p> <p>MSA6EE0-30PF-2-00000000 SD</p>	<p>OEM NO <b>0</b></p> <p>REV <b>0</b></p>		
DRAWN	MA	DATE	2024-06-20											
REVIEWED	CSF	DATE	2024-06-20											
		<table border="1"> <tr> <td>SIZE</td> <td>A</td> <td>SCALE</td> <td>DO NOT SCALE</td> <td>SCALE</td> <td>1:58</td> <td>WEIGHT</td> <td>5968lb/2712kg</td> <td>SHEET NO.</td> <td>1 OF 1</td> </tr> </table>	SIZE	A	SCALE	DO NOT SCALE	SCALE	1:58	WEIGHT	5968lb/2712kg	SHEET NO.	1 OF 1		
SIZE	A	SCALE	DO NOT SCALE	SCALE	1:58	WEIGHT	5968lb/2712kg	SHEET NO.	1 OF 1					