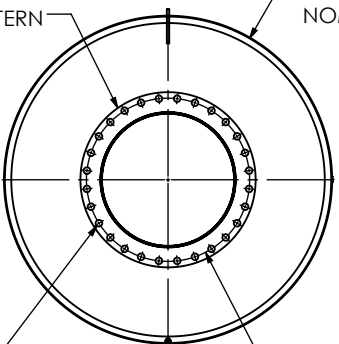


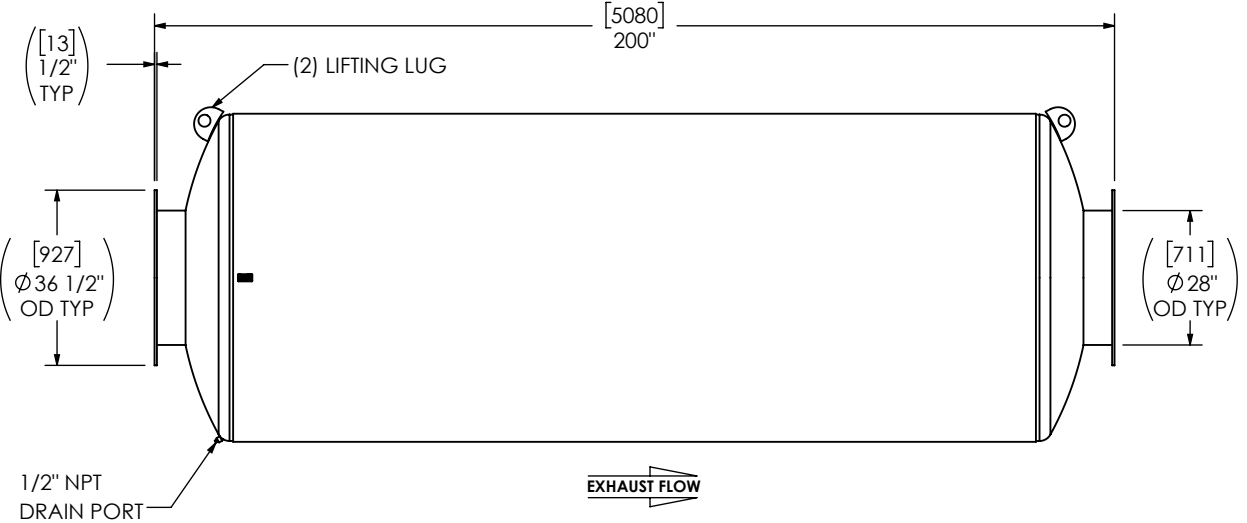
(2) 28" FF FLANGE  
150 lb ANSI  
STANDARD  
BOLT PATTERN

[1727]  
Ø 68"  
NOM DIA



[35]  
Ø 1 3/8"  
TYP

[864]  
Ø 34"  
BCD



**NOTES:**

- DO NOT USE EQUIPMENT TO SUPPORT OTHER PARTS OF THE EXHAUST SYSTEM WITHOUT PROPER REINFORCEMENT

**MATERIAL CONSTRUCTION:**

- CARBON STEEL

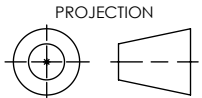
**PAINT:**

- HIGH TEMPERATURE BLACK (MIRATECH COATING SYSTEM 5)

PROJECT NAME	
PROPOSAL NUMBER	
SALES ORDER NO.	
CUSTOMER P.O. [P.N.]	

**PROPRIETARY AND CONFIDENTIAL**

THE INFORMATION CONTAINED IN THIS DRAWING IS THE SOLE PROPERTY OF MIRATECH. ANY REPRODUCTION IN PART OR AS A WHOLE WITHOUT THE WRITTEN PERMISSION OF MIRATECH IS PROHIBITED.



ALL DIMENSIONS IN INCHES (MILLIMETERS) UNLESS OTHERWISE SPECIFIED.	
CRITICAL DIMENSIONS ARE <b>CIRCLED</b>	
TOLERANCES UNLESS OTHERWISE SPECIFIED	
< 12 [305]	±1/8 [3]
12 [305] ≥ 36 [915]	±3/16 [5]
36 [915] ≥ 360 [9150]	±5/16 [9]
> 360 [9150]	±7/16 [12]
ANGULAR	±3°
WEIGHT	±10%
DRAWN	HHK
DATE	2024/09/18
REVIEWED	CSF
DATE	2024/09/18

**MT1 EEO-28PF-2-00000000**

SILENCER INDUSTRIAL GRADE MT32

SALES DRAWING

MT1 EEO-28PF-2-00000000 SD

SIZE	A	SCALE	DO NOT SCALE	WEIGHT	3282lb/1491kg	OEM NO	NO	REV	0
SHEET NO.	1 OF 1								