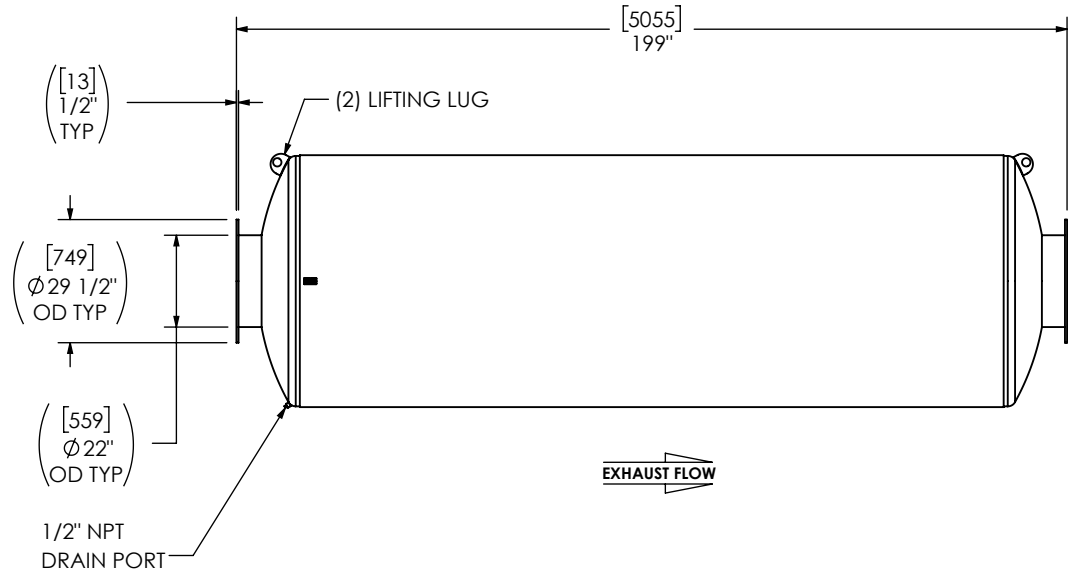
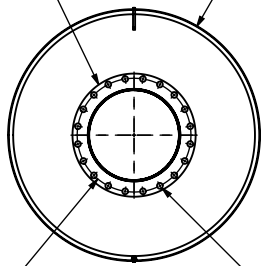


(2) 22" FF FLANGE  
150 lb ANSI  
STANDARD  
BOLT PATTERN

[1524]  
Ø 60"  
NOM DIA

( [692] )  
Ø 27 1/4"  
BCD

( [35] )  
Ø 1 3/8"  
TYP



**NOTES:**

- DO NOT USE EQUIPMENT TO SUPPORT OTHER PARTS OF THE EXHAUST SYSTEM WITHOUT PROPER REINFORCEMENT

**MATERIAL CONSTRUCTION:**

- CARBON STEEL

**PAINT:**

- HIGH TEMPERATURE BLACK (MIRATECH COATING SYSTEM 5)

PROJECT NAME	<b>PROPRIETARY AND CONFIDENTIAL</b> THE INFORMATION CONTAINED IN THIS DRAWING IS THE SOLE PROPERTY OF MIRATECH. ANY REPRODUCTION IN PART OR AS A WHOLE WITHOUT THE WRITTEN PERMISSION OF MIRATECH IS PROHIBITED.	ALL DIMENSIONS IN INCHES (MILLIMETERS) UNLESS OTHERWISE SPECIFIED. CRITICAL DIMENSIONS ARE <b>CIRCLED</b>				
PROPOSAL NUMBER		TOLERANCES UNLESS OTHERWISE SPECIFIED < 12 [305] ±1/8 [3] 12 [305] ≥ 36 [915] ±3/16 [5] 36 [915] ≥ 360 [9150] ±5/16 [9] > 360 [9150] ±7/16 [12]				
SALES ORDER NO.		PROJECTION 	DRAWN AVK	DATE 2024-09-19	<b>MT3EE0-22PF-2-00000000</b> SILENCER CRITICAL GRADE MT52	
CUSTOMER P.O. [P.N.]		REVIEWED CSF	DATE 2024-09-19	SIZE A	SCALE DO NOT SCALE 1:46	WEIGHT 3355lb/1525kg
SALES DRAWING				OEM NO	REV	
MT3EE0-22PF-2-00000000SD				NO	0	
SHEET NO. 1 OF 1						