

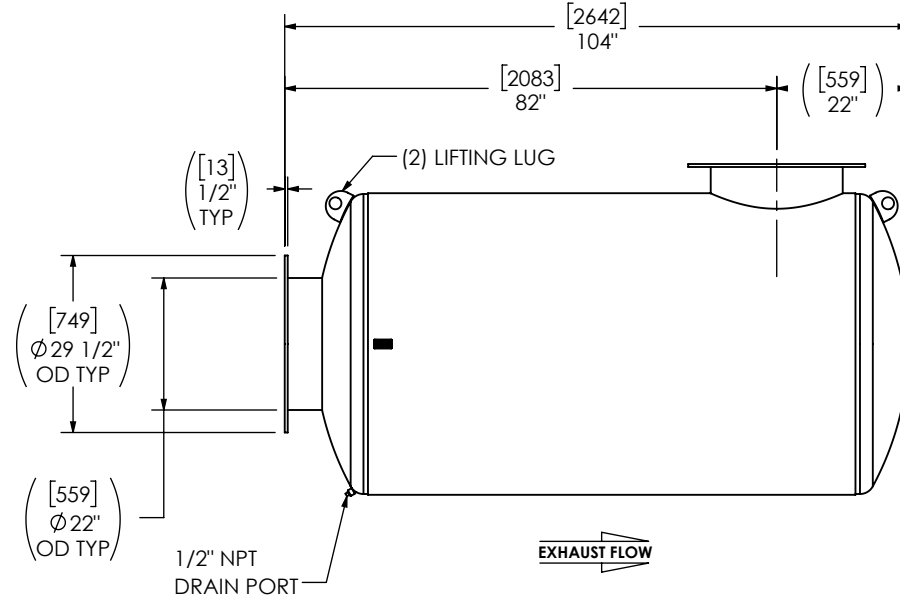
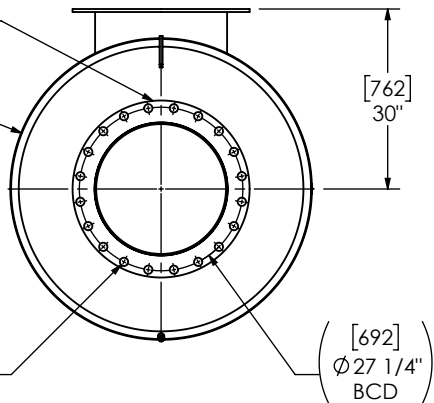
(2) 22" FF FLANGE  
150 lb ANSI  
STANDARD  
BOLT PATTERN

[1270]  
Ø 50"  
NOM DIA

[762]  
30"

[35]  
Ø 1 3/8"  
TYP

[692]  
Ø 27 1/4"  
BCD



**NOTES:**

- DO NOT USE EQUIPMENT TO SUPPORT OTHER PARTS OF THE EXHAUST SYSTEM WITHOUT PROPER REINFORCEMENT

**MATERIAL CONSTRUCTION:**

- 304 STAINLESS STEEL

**PAINT:**

- NONE (MIRATECH COATING SYSTEM 4)

PROJECT NAME	<b>PROPRIETARY AND CONFIDENTIAL</b> THE INFORMATION CONTAINED IN THIS DRAWING IS THE SOLE PROPERTY OF MIRATECH. ANY REPRODUCTION IN PART OR AS A WHOLE WITHOUT THE WRITTEN PERMISSION OF MIRATECH IS PROHIBITED.	ALL DIMENSIONS IN INCHES (MILLIMETERS) UNLESS OTHERWISE SPECIFIED. CRITICAL DIMENSIONS ARE <b>CIRCLED</b>				
PROPOSAL NUMBER		TOLERANCES UNLESS OTHERWISE SPECIFIED: < 12 [305] ±1/8 [3] 12 [305] ≥ 36 [915] ±3/16 [5] 36 [915] ≥ 360 [9150] ±5/16 [9] > 360 [9150] ±7/16 [12]		<b>M1EA0-22PF-3-000058WK</b> SILENCER INDUSTRIAL GRADE M11		
SALES ORDER NO.		ANGLE ±3° WEIGHT ±10%		SALES DRAWING M1EA0-22PF-3-000058WK SD		OEM NO <b>0</b>
CUSTOMER P.O. [P.N.]		PROJECTION 	DRAWN MA DATE 2025-05-03 REVIEWED CSF DATE 2025-05-03	SIZE A DO NOT SCALE	SCALE 1:32 WEIGHT 1074lb/488kg	REV NO <b>0</b> SHEET NO. 1 OF 1