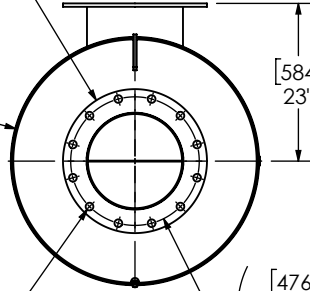


(2) 14" FF FLANGE
150 lb ANSI
STANDARD
BOLT PATTERN

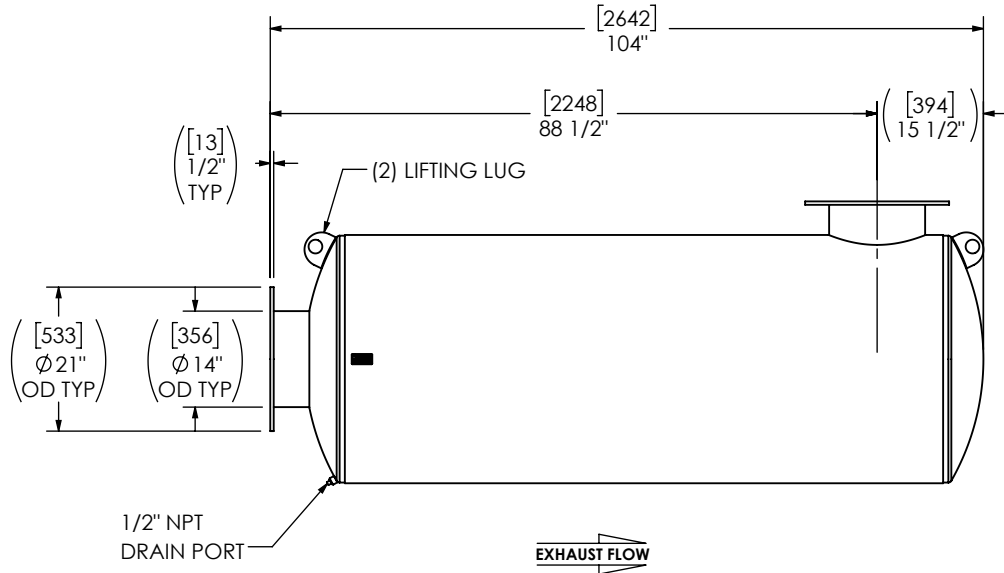
[914]
Ø 36"
NOM DIA

[584]
23"



([29])
Ø 1 1/8"
TYP

([476])
Ø 18 3/4"
BCD



NOTES:

- DO NOT USE EQUIPMENT TO SUPPORT OTHER PARTS OF THE EXHAUST SYSTEM WITHOUT PROPER REINFORCEMENT

MATERIAL CONSTRUCTION:

- 304 STAINLESS STEEL

PAINT:

- NONE (MIRATECH COATING SYSTEM 4)

PROJECT NAME	PROPRIETARY AND CONFIDENTIAL THE INFORMATION CONTAINED IN THIS DRAWING IS THE SOLE PROPERTY OF MIRATECH. ANY REPRODUCTION IN PART OR AS A WHOLE WITHOUT THE WRITTEN PERMISSION OF MIRATECH IS PROHIBITED.	ALL DIMENSIONS IN INCHES (MILLIMETERS) UNLESS OTHERWISE SPECIFIED.			
PROPOSAL NUMBER		CRITICAL DIMENSIONS ARE CIRCLED			
SALES ORDER NO.		TOLERANCES UNLESS OTHERWISE SPECIFIED < 12 [305] ±1/8 [3] 12 [305] ≥ 36 [915] ±3/16 [5] 36 [915] ≥ 360 [9150] ±5/16 [9] > 360 [9150] ±7/16 [12] ANGULAR ±3° WEIGHT ±10%			
CUSTOMER P.O. [P.N.]		M3EA0-14PF-3-00003PJV SILENCER CRITICAL GRADE M32			
		PROJECTION	SALES DRAWING	OEM NO	REV 0
			M3EA0-14PF-3-00003PJV SD		
			DO NOT SCALE	SCALE 1:28	WEIGHT 634lb/288kg
			SIZE A	SHEET NO. 1 OF 1	
				DATE 2025/05/06	
				DATE 2025/05/06	