

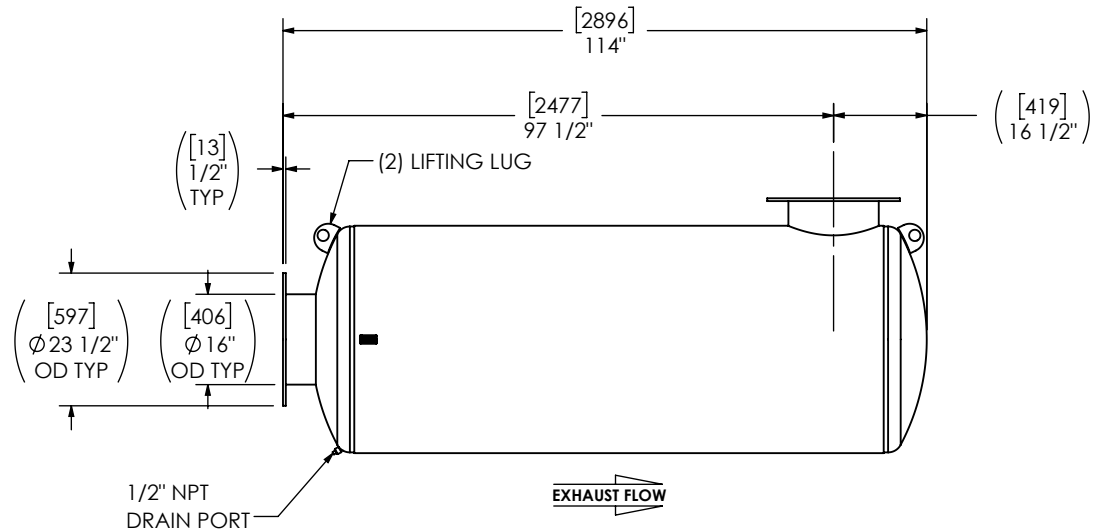
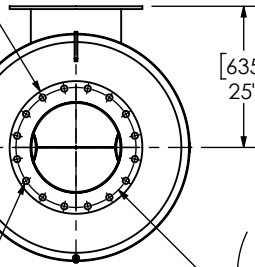
(2) 16" FF FLANGE
150 lb ANSI
STANDARD
BOLT PATTERN

[1016]
Ø 40"
NOM DIA

[635]
25"

([29])
Ø 1 1/8"
TYP

([540])
Ø 21 1/4"
BCD



NOTES:

- DO NOT USE EQUIPMENT TO SUPPORT OTHER PARTS OF THE EXHAUST SYSTEM WITHOUT PROPER REINFORCEMENT

MATERIAL CONSTRUCTION:

- 304 STAINLESS STEEL

PAINT:

- NONE (MIRATECH COATING SYSTEM 4)

PROJECT NAME	<p>PROPRIETARY AND CONFIDENTIAL</p> <p>THE INFORMATION CONTAINED IN THIS DRAWING IS THE SOLE PROPERTY OF MIRATECH. ANY REPRODUCTION IN PART OR AS A WHOLE WITHOUT THE WRITTEN PERMISSION OF MIRATECH IS PROHIBITED.</p>	ALL DIMENSIONS IN INCHES (MILLIMETERS) UNLESS OTHERWISE SPECIFIED.													
PROPOSAL NUMBER		CRITICAL DIMENSIONS ARE CIRCLED													
SALES ORDER NO.		<p>TOLERANCES UNLESS OTHERWISE SPECIFIED</p> <table border="1"> <tr> <td>< 12 [305]</td> <td>±1/8 [3]</td> </tr> <tr> <td>12 [305] ≥ 36 [915]</td> <td>±3/16 [5]</td> </tr> <tr> <td>36 [915] ≥ 360 [9150]</td> <td>±5/16 [9]</td> </tr> <tr> <td>> 360 [9150]</td> <td>±7/16 [12]</td> </tr> <tr> <td>ANGULAR</td> <td>±3°</td> </tr> <tr> <td>WEIGHT</td> <td>±10%</td> </tr> </table>		< 12 [305]	±1/8 [3]	12 [305] ≥ 36 [915]	±3/16 [5]	36 [915] ≥ 360 [9150]	±5/16 [9]	> 360 [9150]	±7/16 [12]	ANGULAR	±3°	WEIGHT	±10%
< 12 [305]		±1/8 [3]													
12 [305] ≥ 36 [915]	±3/16 [5]														
36 [915] ≥ 360 [9150]	±5/16 [9]														
> 360 [9150]	±7/16 [12]														
ANGULAR	±3°														
WEIGHT	±10%														
CUSTOMER P.O. [P.N.]	<p>M3EA0-16PF-3-00003XXF</p> <p>SILENCER CRITICAL GRADE M32</p>														
<p>PROJECTION</p>		<p>SALES DRAWING</p> <p>M3EA0-16PF-3-00003XXF SD</p>	<p>OEM NO 0</p> <p>REV 0</p>												
<p>SIZE A</p>		<p>DO NOT SCALE</p>	<p>SCALE 1:34</p> <p>WEIGHT 934lb/424kg</p> <p>SHEET NO. 1 OF 1</p>												
<p>DRAWN HHK</p> <p>REVIEWED CSF</p>	<p>DATE 2025/05/06</p> <p>DATE 2025/05/06</p>	<p>DATE 2025/05/06</p>													