

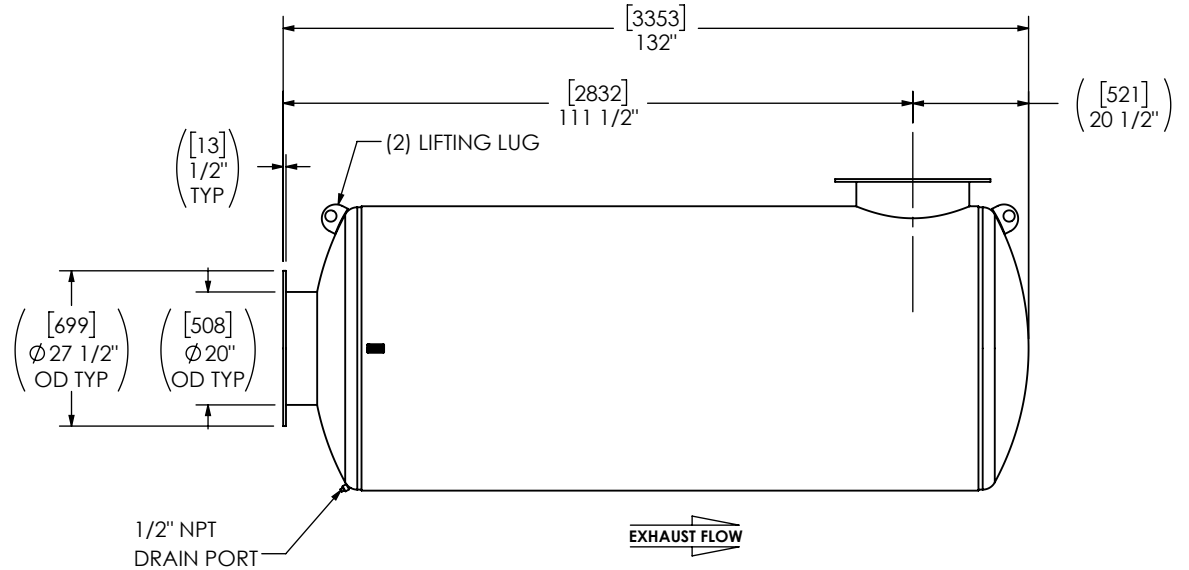
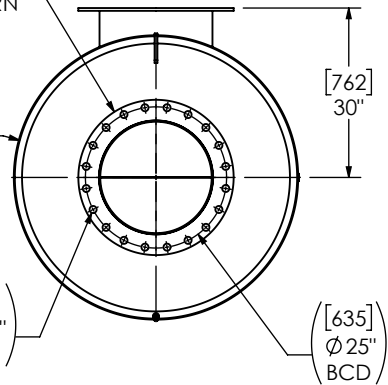
(2) 20" FF FLANGE
150 lb ANSI
STANDARD
BOLT PATTERN

[1270]
Ø 50"
NOM DIA

[762]
30"

([32])
Ø 1 1/4"
TYP

([635])
Ø 25"
BCD



NOTES:

- DO NOT USE EQUIPMENT TO SUPPORT OTHER PARTS OF THE EXHAUST SYSTEM WITHOUT PROPER REINFORCEMENT

MATERIAL CONSTRUCTION:

- 304 STAINLESS STEEL

PAINT:

- NONE (MIRATECH COATING SYSTEM 4)

PROJECT NAME	PROPRIETARY AND CONFIDENTIAL THE INFORMATION CONTAINED IN THIS DRAWING IS THE SOLE PROPERTY OF MIRATECH. ANY REPRODUCTION IN PART OR AS A WHOLE WITHOUT THE WRITTEN PERMISSION OF MIRATECH IS PROHIBITED.	ALL DIMENSIONS IN INCHES (MILLIMETERS) UNLESS OTHERWISE SPECIFIED. CRITICAL DIMENSIONS ARE CIRCLED		
PROPOSAL NUMBER		TOLERANCES UNLESS OTHERWISE SPECIFIED < 12 [305] ±1/8 [3] 12 [305] ≥ 36 [915] ±3/16 [5] 36 [915] ≥ 360 [9150] ±5/16 [9] > 360 [9150] ±7/16 [12]	M3EA0-20PF-3-00004WCQ SILENCER CRITICAL GRADE M32	
SALES ORDER NO.		DRAWN HHK DATE 2025/05/06 REVIEWED CSF DATE 2025/05/06	SALES DRAWING M3EA0-20PF-3-00004WCQ SD	
CUSTOMER P.O. [P.N.]		PROJECTION 	SIZE A DO NOT SCALE	SCALE 1:34 WEIGHT 1622lb/737kg