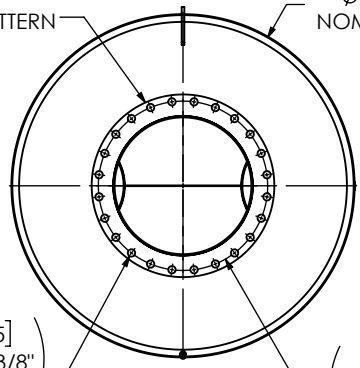


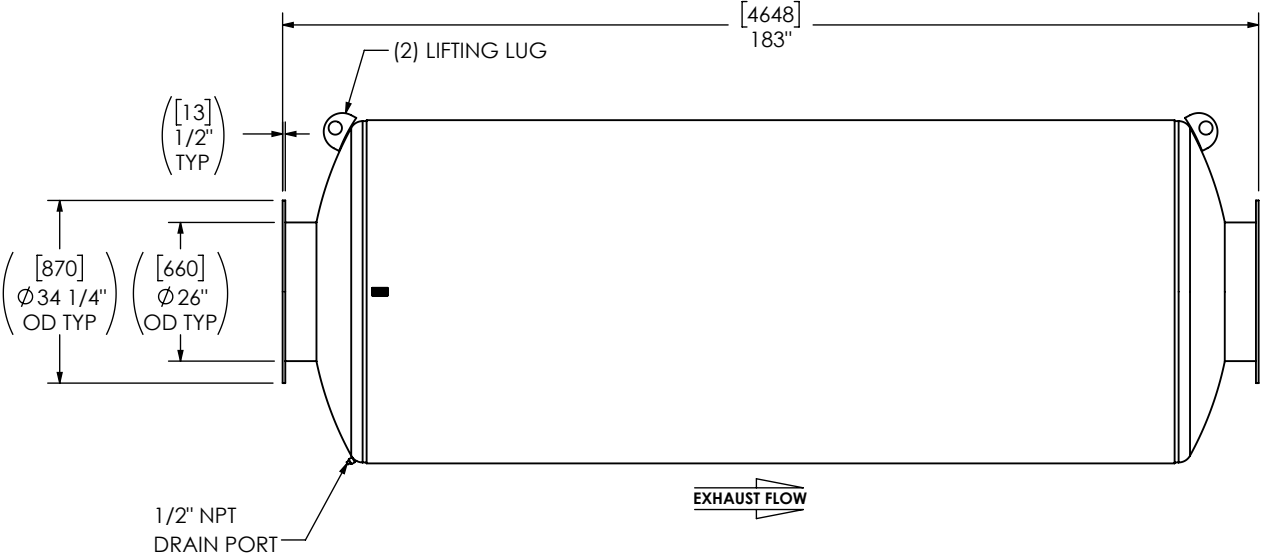
(2) 26" FF FLANGE
150 lb ANSI
STANDARD
BOLT PATTERN

[1626]
Ø 64"
NOM DIA



([35])
Ø 1 3/8"
TYP

([806])
Ø 31 3/4"
BCD



NOTES:

- DO NOT USE EQUIPMENT TO SUPPORT OTHER PARTS OF THE EXHAUST SYSTEM WITHOUT PROPER REINFORCEMENT

MATERIAL CONSTRUCTION:

- 304 STAINLESS STEEL

PAINT:

- NONE (MIRATECH COATING SYSTEM 4)

PROJECT NAME	PROPRIETARY AND CONFIDENTIAL THE INFORMATION CONTAINED IN THIS DRAWING IS THE SOLE PROPERTY OF MIRATECH. ANY REPRODUCTION IN PART OR AS A WHOLE WITHOUT THE WRITTEN PERMISSION OF MIRATECH IS PROHIBITED.	ALL DIMENSIONS IN INCHES (MILLIMETERS) UNLESS OTHERWISE SPECIFIED. CRITICAL DIMENSIONS ARE CIRCLED				
PROPOSAL NUMBER		TOLERANCES UNLESS OTHERWISE SPECIFIED < 12 [305] ±1/8 [3] 12 [305] ≥ 36 [915] ±3/16 [5] 36 [915] ≥ 360 [9150] ±5/16 [9] > 360 [9150] ±7/16 [12]				
SALES ORDER NO.		DRAWN: HHK DATE: 2025/05/01 REVIEWED: CSF DATE: 2025/05/01		M3EE0-26PF-3-00000000 SILENCER CRITICAL GRADE M32		
CUSTOMER P.O. [P.N.]		PROJECTION 		SALES DRAWING M3EE0-26PF-3-00000000 SD		OEM NO 0 REV 0
			SIZE A	SCALE 1:36	WEIGHT 2766lb/1257kg	SHEET NO. 1 OF 1