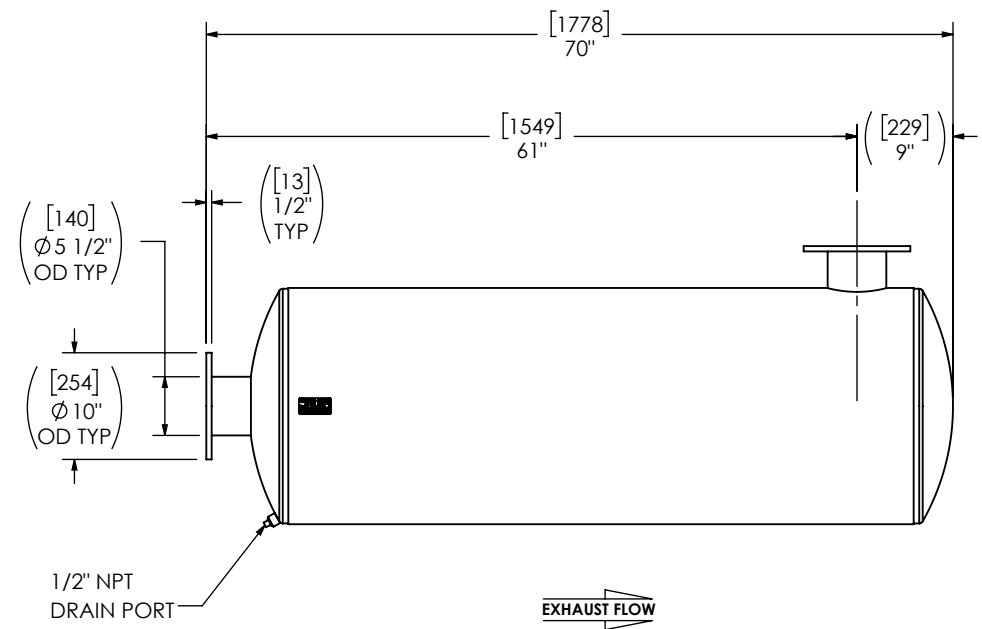
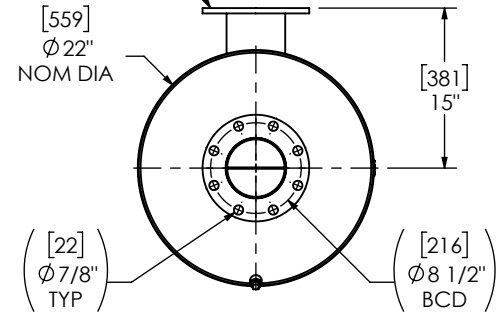


(2) 5" FF FLANGE
150 lb ANSI
STANDARD
BOLT PATTERN



- NOTES:**
- DO NOT USE EQUIPMENT TO SUPPORT OTHER PARTS OF THE EXHAUST SYSTEM WITHOUT PROPER REINFORCEMENT
- MATERIAL CONSTRUCTION:**
- 304 STAINLESS STEEL
- PAINT:**
- NONE (MIRATECH COATING SYSTEM 4)

PROJECT NAME	
PROPOSAL NUMBER	
SALES ORDER NO.	
CUSTOMER P.O. [P.N.]	

PROPRIETARY AND CONFIDENTIAL

THE INFORMATION CONTAINED IN THIS DRAWING IS THE SOLE PROPERTY OF MIRATECH. ANY REPRODUCTION IN PART OR AS A WHOLE WITHOUT THE WRITTEN PERMISSION OF MIRATECH IS PROHIBITED.

PROJECTION

ALL DIMENSIONS IN INCHES (MILLIMETERS) UNLESS OTHERWISE SPECIFIED.	
CRITICAL DIMENSIONS ARE CIRCLED	
TOLERANCES UNLESS OTHERWISE SPECIFIED	
< 12 [305]	±1/8 [3]
12 [305] ≥ 36 [915]	±3/16 [5]
36 [915] ≥ 360 [9150]	±5/16 [9]
> 360 [9150]	±7/16 [12]
ANGULAR	±3°
WEIGHT	±10%
DRAWN	DATE
AB	2025/05/07
REVIEWED	DATE
CSF	2025/05/07

M6EA0-05PF-3-00002585
SILENCER SUPER HOSPITAL GRADE M62

SALES DRAWING
M6EA0-05PF-3-00002585 SD

SIZE	SCALE	WEIGHT	OEM NO	REV
A	DO NOT SCALE 1:18	233lb/105kg		0

SHEET NO. 1 OF 1