

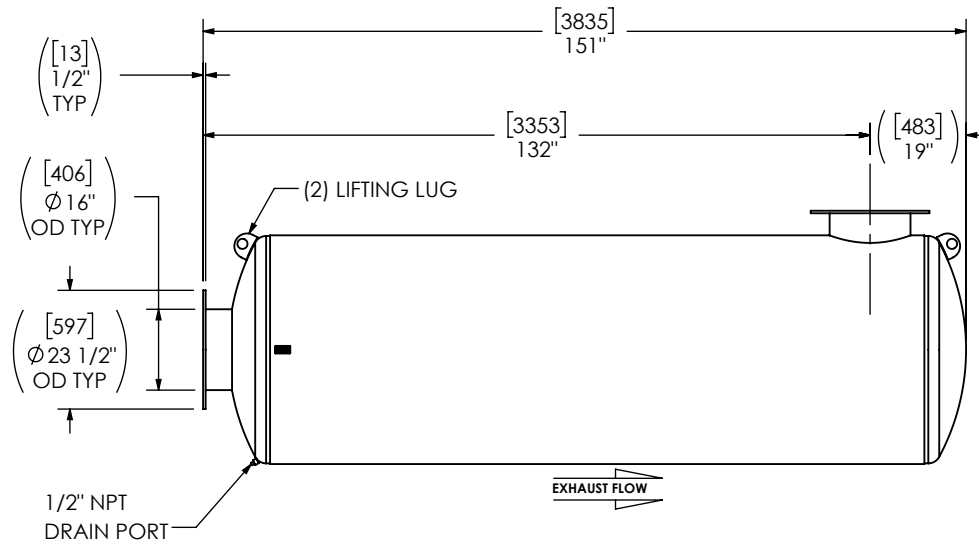
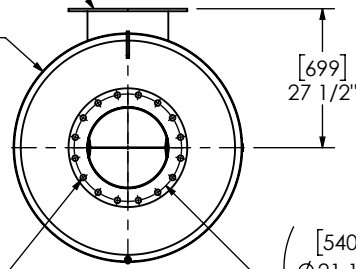
(2) 16" FF FLANGE  
150 lb ANSI  
STANDARD  
BOLT PATTERN

[1143]  
Ø 45"  
NOM DIA

[699]  
27 1/2"

( [29] )  
Ø 1 1/8"  
TYP

( [540] )  
Ø 21 1/4"  
BCD



**NOTES:**

- DO NOT USE EQUIPMENT TO SUPPORT OTHER PARTS OF THE EXHAUST SYSTEM WITHOUT PROPER REINFORCEMENT

**MATERIAL CONSTRUCTION:**

- 304 STAINLESS STEEL

**PAINT:**

- NONE (MIRATECH COATING SYSTEM 4)

PROJECT NAME	<p><b>PROPRIETARY AND CONFIDENTIAL</b></p> <p>THE INFORMATION CONTAINED IN THIS DRAWING IS THE SOLE PROPERTY OF MIRATECH. ANY REPRODUCTION IN PART OR AS A WHOLE WITHOUT THE WRITTEN PERMISSION OF MIRATECH IS PROHIBITED.</p> <p>PROJECTION</p>	<p>ALL DIMENSIONS IN INCHES (MILLIMETERS) UNLESS OTHERWISE SPECIFIED.</p> <p>CRITICAL DIMENSIONS ARE <b>CIRCLED</b></p> <table border="1"> <tr> <td colspan="2">TOLERANCES UNLESS OTHERWISE SPECIFIED</td> </tr> <tr> <td>&lt; 12 [305]</td> <td>±1/8 [3]</td> </tr> <tr> <td>12 [305] ≥ 36 [915]</td> <td>±3/16 [5]</td> </tr> <tr> <td>36 [915] ≥ 360 [9150]</td> <td>±5/16 [9]</td> </tr> <tr> <td>&gt; 360 [9150]</td> <td>±7/16 [12]</td> </tr> <tr> <td>ANGULAR</td> <td>±3°</td> </tr> <tr> <td>WEIGHT</td> <td>±10%</td> </tr> </table>	TOLERANCES UNLESS OTHERWISE SPECIFIED		< 12 [305]	±1/8 [3]	12 [305] ≥ 36 [915]	±3/16 [5]	36 [915] ≥ 360 [9150]	±5/16 [9]	> 360 [9150]	±7/16 [12]	ANGULAR	±3°	WEIGHT	±10%	<p><b>M6EA0-16PF-3-00004ITV</b></p> <p>SILENCER SUPER HOSPITAL GRADE M62</p>
TOLERANCES UNLESS OTHERWISE SPECIFIED																	
< 12 [305]		±1/8 [3]															
12 [305] ≥ 36 [915]		±3/16 [5]															
36 [915] ≥ 360 [9150]	±5/16 [9]																
> 360 [9150]	±7/16 [12]																
ANGULAR	±3°																
WEIGHT	±10%																
PROPOSAL NUMBER	<p>SALES DRAWING</p> <p>M6EA0-16PF-3-00004ITV SD</p>	<p>OEM NO</p> <p>REV <b>0</b></p>															
SALES ORDER NO.	<p>SIZE A</p> <p>DO NOT SCALE</p>	<p>SCALE 1:38</p> <p>WEIGHT 1592lb/723kg</p>															
CUSTOMER P.O. [P.N.]	<p>DRAWN AB DATE 2025/05/07</p> <p>REVIEWED CSF DATE 2025/05/07</p>	<p>SHEET NO. 1 OF 1</p>															