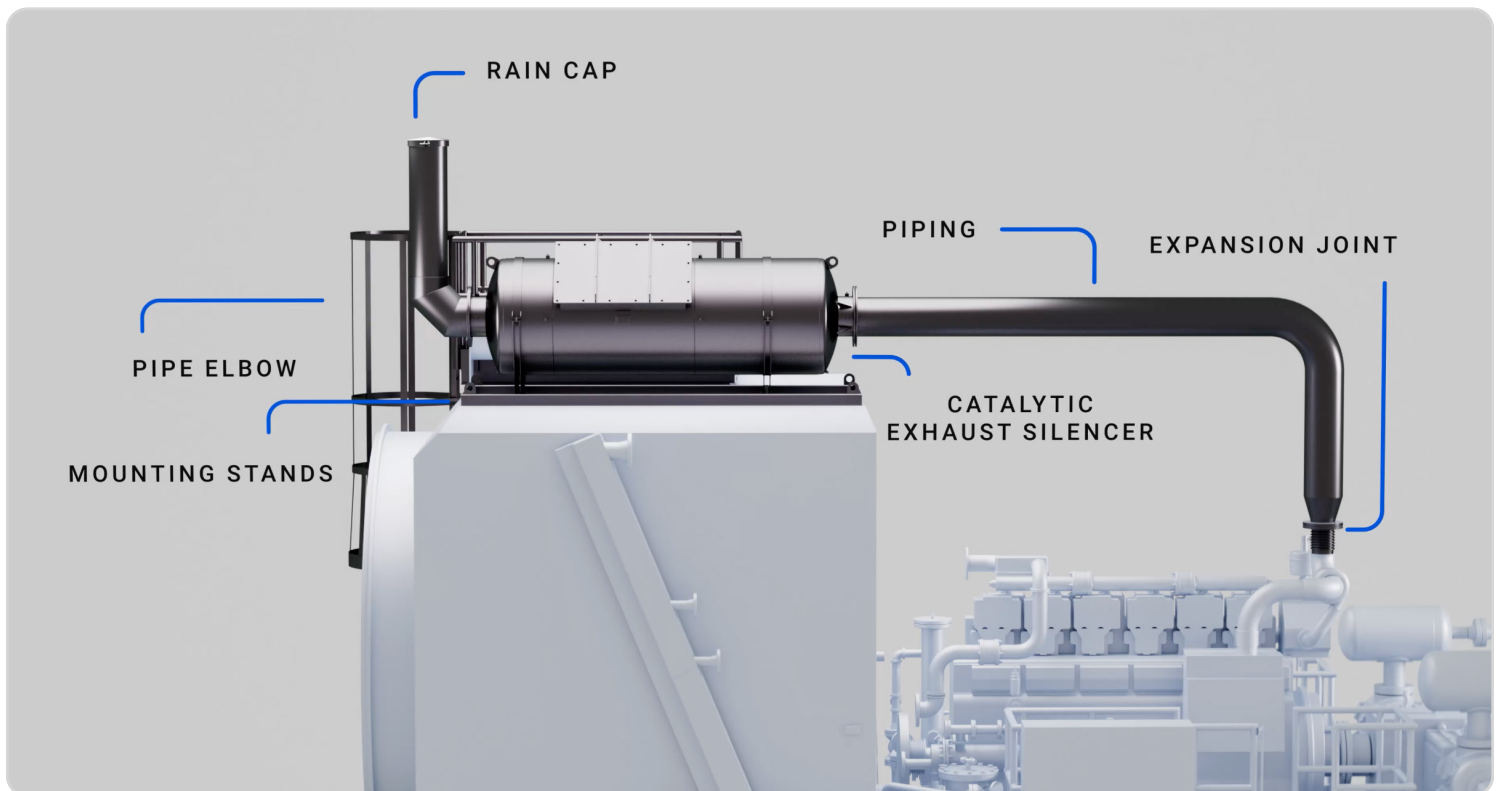


ENERGY INFRASTRUCTURE SOLUTIONS

A full line of catalysts, emissions housings, accessories and lifecycle services, supported by local on-the-ground expertise wherever you operate.



EMISSIONS & SILENCING SOLUTIONS

MIRATECH provides catalyst elements and housings for new installations, upgrades, and ongoing operation. Models such as MCC, RAC, MACC, and PTEZ offer flexible configuration options. MIRATECH also supplies best-in-class replacement catalyst elements, including three way and oxidation catalysts, used to restore emissions performance and extend catalyst service life within existing equipment.

RESTORE PERFORMANCE. EXTEND CATALYST LIFE.

MIRATECH's chemical washing process removes contaminants without damaging precious metals, restoring catalyst efficiency and reducing replacement costs. Post wash performance is verified using the Multi Lambda Catalyst Testing System®.

ENERGY INFRASTRUCTURE



CUSTOM INSTALLATION

SUPPORT ACROSS THE ASSET LIFECYCLE

- Emissions products for energy infrastructure
- Exhaust and system accessories
- Catalyst washing and performance testing
- Local inventory and field service

BOOTS ON THE GROUND. WHEN IT MATTERS MOST.

MIRATECH's global service network provides localized field support, experienced technicians, and stocked regional facilities to ensure fast, reliable assistance throughout an asset's life.

WHY MIRATECH

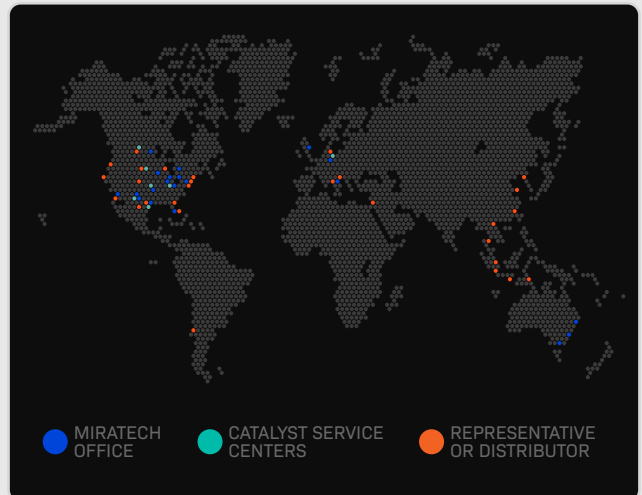
- Complete "turbo to rain cap" portfolio
- Proven expertise supporting critical assets
- Global service network with local presence
- Single source partner for product + service

LOCALIZED INVENTORY. READY WHEN YOU NEED IT.

When replacement elements are needed quickly, MIRATECH's localized inventory provides a fast, reliable solution. Facilities located in key strategic markets across North America, and globally, are stocked and ready to ship, helping get your equipment back online with minimal downtime.

Energy infrastructure projects demand reliable performance, long service life, and dependable support. MIRATECH delivers emissions products, services, and field expertise that keep critical assets operating efficiently and in compliance.

Strategically located facilities across North America maintain stocked catalyst inventory to support fast shipment and minimize downtime.



TALK TO AN EXPERT

Since 1992, MIRATECH has been at the forefront in helping industries handle emissions and acoustic standards. Whatever your emissions needs may be, count on us for solutions. Just give us a call, **1-800-640-3141**, or visit our website at **MIRATECHcorp.com**.